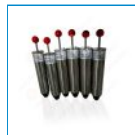




Product Categories

- [Goniophotometer >](#)
- [Spectroradiometer >](#)
- [Integrating Sphere >](#)
- [LED Test Instruments >](#)
- [CFL Testing Instruments >](#)
- [Photometer and Colorimeter >](#)
- [EMI and EMC Test Systems >](#)
- [Electronic Ballast Tester >](#)
- [Electrical Safety Tester >](#)
- [Environmental Test Chamber >](#)
- [Plug and Switch Testing >](#)
- [AC and DC Power Supply >](#)
- [Object Color and Glossiness Test >](#)
- [Mask Produce and Test Machine >](#)
- [Electronic Components Test >](#)



Spring Impact Hammer IK Level Tester IEC 60068-2-75

Product No: IK01-06

Get a Quote

Your email address will not be published. Required fields are marked *

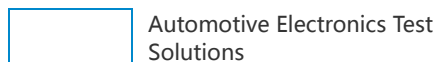
<input type="text" value="Name*"/>	<input type="text" value="Company*"/>
<input type="text" value="Email*"/>	<input type="text" value="Cell/WhatsApp"/>
<input type="text" value="Message*"/>	
<input type="text" value="Verify Code"/>	4 j k s <input type="button" value="Send"/>

1

1

- [Description](#)
- [Video](#)
- [Download](#)


Related Applications




Automotive Electronics Test Solutions



- [Home](#)
- [About Us](#)
- [Products ▾](#)
- [Applications ▾](#)
- [Standards ▾](#)
- [Successful Cases](#)
- [News ▾](#)
- [E-Catalog](#)
- [Contact Us](#)



Solutions



LEDs and Luminaire Test Solutions

Related Standards



IEC International Electrotechnical Commission



SASO Saudi Arabian Standards Organization

Related Technical Articles

IK impact protection test introduce in IEC 62262 and application in lighting industry

IK01-10 IK Level Tester is Designed According to IEC 60068-2-75: Tests- Test Eh: Hammer tests.

Basic Environmental Test for Luminaire According to IEC 60068

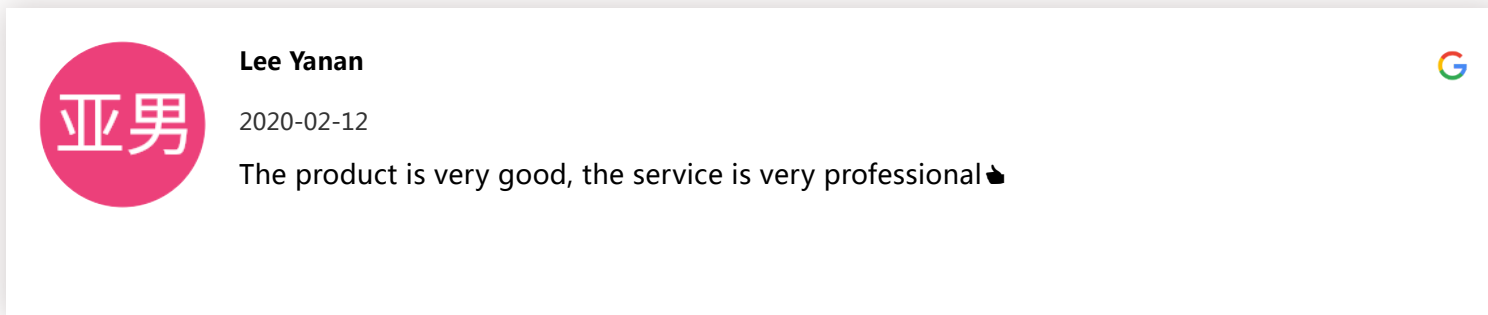
IEC 62262 for LED Luminaries IK code Protection level Test


IK ratings are defined as IKXX. The XX is a number from 00 to 10 indicating the degrees of protection provided by enclosures (including luminaires) against external mechanical impacts. The different IK ratings relate to the ability of an enclosure to resist impact energy levels measured in joules (J). [IEC62262](#) specifies how the enclosure must be mounted for testing, the atmospheric conditions required, the quantity and distribution of the test impacts and the impact hammer to be used for each level of IK rating. The IK test applicate on lighting luminaires test according to [IEC60598 \(GB7000\)](#) and [IEC60068-2-75 \(GB2423.55\)](#).

Degrees of protection against external mechanical impacts:

IK01	IK02	IK03	IK04	IK05	IK06	IK07	IK08	IK09	IK10
0.14J	0.2J	0.35J	0.5J	0.7J	1J	2J	5J	10J	20J

The Spring Impact Hammer IK Level Tester is for IK01 to IK06.



Lee Yanan 

2020-02-12

The product is very good, the service is very professional 👍

Tags : [IK01-06](#) , [Spring Impact Hammer IK Level Tester](#)

Related Products

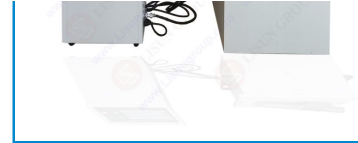


Germany – Installation and training for SC-015 Dustproof Testing Machine and JL-34 & JL-56 Waterproof Test Equipment

Algeria – National Lab Ordered Whole LED Lighting Test Systems from Lisun Group



JL-X IP Waterproof Test Equipments



LVD-100KG Electrodynamic Vibration Generator System



GDJS-015B Temperature Humidity Chamber | Thermal Chamber



IK07-10 IK Level Tester | IEC62262 IK07 to IK10 Pendulum Impact Hammer

[Goniophotometer](#) | [Integrating Sphere](#) | [Surge Generator](#)



© Copyright 2003 | [Blog](#) | [Privacy](#)

[Surge Generator](#) | [Emc Test System](#) | [Emi Receiver](#) | [Electrical Safety Tester](#) | [Temperature Chamber](#) | [Salt Spray Test](#) | [Environmental Chamber](#) | [Sitemap](#)

INTERNATIONAL STANDARD

NORME INTERNATIONALE

BASIC SAFETY PUBLICATION
PUBLICATION FONDAMENTALE DE SÉCURITÉ

**Environmental testing –
Part 2-75: Tests – Test Eh: Hammer tests**

**Essais d'environnement –
Partie 2-75: Essais – Test Eh: Essais au marteau**

www.lisungroup.com





THIS PUBLICATION IS COPYRIGHT PROTECTED

Copyright © 2014 IEC, Geneva, Switzerland

All rights reserved. Unless otherwise specified, no part of this publication may be reproduced or utilized in any form or by any means, electronic or mechanical, including photocopying and microfilm, without permission in writing from either IEC or IEC's member National Committee in the country of the requester. If you have any questions about IEC copyright or have an enquiry about obtaining additional rights to this publication, please contact the address below or your local IEC member National Committee for further information.

Droits de reproduction réservés. Sauf indication contraire, aucune partie de cette publication ne peut être reproduite ni utilisée sous quelque forme que ce soit et par aucun procédé, électronique ou mécanique, y compris la photocopie et les microfilms, sans l'accord écrit de l'IEC ou du Comité national de l'IEC du pays du demandeur. Si vous avez des questions sur le copyright de l'IEC ou si vous désirez obtenir des droits supplémentaires sur cette publication, utilisez les coordonnées ci-après ou contactez le Comité national de l'IEC de votre pays de résidence.

IEC Central Office
3, rue de Varembe
CH-1211 Geneva 20
Switzerland

Tel.: +41 22 919 02 11
Fax: +41 22 919 03 00
info@iec.ch
www.iec.ch

About the IEC

The International Electrotechnical Commission (IEC) is the leading global organization that prepares and publishes International Standards for all electrical, electronic and related technologies.

About IEC publications

The technical content of IEC publications is kept under constant review by the IEC. Please make sure that you have the latest edition, a corrigenda or an amendment might have been published.

IEC Catalogue - webstore.iec.ch/catalogue

The stand-alone application for consulting the entire bibliographical information on IEC International Standards, Technical Specifications, Technical Reports and other documents. Available for PC, Mac OS, Android Tablets and iPad.

IEC publications search - www.iec.ch/searchpub

The advanced search enables to find IEC publications by a variety of criteria (reference number, text, technical committee,...). It also gives information on projects, replaced and withdrawn publications.

IEC Just Published - webstore.iec.ch/justpublished

Stay up to date on all new IEC publications. Just Published details all new publications released. Available online and also once a month by email.

Electropedia - www.electropedia.org

The world's leading online dictionary of electronic and electrical terms containing more than 30 000 terms and definitions in English and French, with equivalent terms in 14 additional languages. Also known as the International Electrotechnical Vocabulary (IEV) online.

IEC Glossary - std.iec.ch/glossary

More than 55 000 electrotechnical terminology entries in English and French extracted from the Terms and Definitions clause of IEC publications issued since 2002. Some entries have been collected from earlier publications of IEC TC 37, 77, 86 and CISPR.

IEC Customer Service Centre - webstore.iec.ch/csc

If you wish to give us your feedback on this publication or need further assistance, please contact the Customer Service Centre: csc@iec.ch.

A propos de l'IEC

La Commission Electrotechnique Internationale (IEC) est la première organisation mondiale qui élabore et publie des Normes internationales pour tout ce qui a trait à l'électricité, à l'électronique et aux technologies apparentées.

A propos des publications IEC

Le contenu technique des publications IEC est constamment revu. Veuillez vous assurer que vous possédez l'édition la plus récente, un corrigendum ou amendement peut avoir été publié.

Catalogue IEC - webstore.iec.ch/catalogue

Application autonome pour consulter tous les renseignements bibliographiques sur les Normes internationales, Spécifications techniques, Rapports techniques et autres documents de l'IEC. Disponible pour PC, Mac OS, tablettes Android et iPad.

Recherche de publications IEC - www.iec.ch/searchpub

La recherche avancée permet de trouver des publications IEC en utilisant différents critères (numéro de référence, texte, comité d'études,...). Elle donne aussi des informations sur les projets et les publications remplacées ou retirées.

IEC Just Published - webstore.iec.ch/justpublished

Restez informé sur les nouvelles publications IEC. Just Published détaille les nouvelles publications parues. Disponible en ligne et aussi une fois par mois par email.

Electropedia - www.electropedia.org

Le premier dictionnaire en ligne de termes électroniques et électriques. Il contient plus de 30 000 termes et définitions en anglais et en français, ainsi que les termes équivalents dans 14 langues additionnelles. Egalement appelé Vocabulaire Electrotechnique International (IEV) en ligne.

Glossaire IEC - std.iec.ch/glossary

Plus de 55 000 entrées terminologiques électrotechniques, en anglais et en français, extraites des articles Termes et Définitions des publications IEC parues depuis 2002. Plus certaines entrées antérieures extraites des publications des CE 37, 77, 86 et CISPR de l'IEC.

Service Clients - webstore.iec.ch/csc

Si vous désirez nous donner des commentaires sur cette publication ou si vous avez des questions contactez-nous: csc@iec.ch.

INTERNATIONAL STANDARD

NORME INTERNATIONALE

BASIC SAFETY PUBLICATION
PUBLICATION FONDAMENTALE DE SÉCURITÉ

**Environmental testing –
Part 2-75: Tests – Test Eh: Hammer tests**

**Essais d'environnement –
Partie 2-75: Essais – Test Eh: Essais au marteau**

INTERNATIONAL
ELECTROTECHNICAL
COMMISSION

COMMISSION
ELECTROTECHNIQUE
INTERNATIONALE

PRICE CODE
CODE PRIX

V

ICS 19.040

ISBN 978-2-8322-1842-6

**Warning! Make sure that you obtained this publication from an authorized distributor.
Attention! Veuillez vous assurer que vous avez obtenu cette publication via un distributeur agréé.**

CONTENTS

FOREWORD.....	4
INTRODUCTION.....	6
1 Scope.....	7
2 Normative references.....	7
3 Terms and definitions.....	8
4 Provisions common to all hammer test methods.....	8
4.1 Severities.....	8
4.1.1 General.....	8
4.1.2 Impact energy value.....	8
4.1.3 Number of impacts.....	9
4.2 Test apparatus.....	9
4.2.1 Description.....	9
4.2.2 Mounting.....	10
4.3 Preconditioning.....	10
4.4 Initial measurements.....	10
4.5 Testing.....	10
4.5.1 General.....	10
4.5.2 Attitudes and impact locations.....	11
4.5.3 Preparation of the specimen.....	11
4.5.4 Operating mode and functional monitoring.....	11
4.6 Recovery.....	11
4.7 Final measurements.....	11
4.8 Information to be given in the relevant specification.....	11
5 Test Eha: Pendulum hammer.....	12
5.1 Test apparatus.....	12
5.1.1 General.....	12
5.1.2 Test apparatus for severities not exceeding 1 J.....	12
5.1.3 Test apparatus for severities of 2 J and above.....	12
5.2 Height of fall.....	12
5.3 Testing.....	13
6 Test Ehb: Spring hammer.....	13
6.1 Test apparatus.....	13
6.2 Influence of earth's gravity.....	14
6.3 Calibration.....	14
7 Test Ehc: Vertical hammer.....	14
7.1 Test apparatus.....	14
7.2 Height of fall.....	14
Annex A (normative) Shapes of striking elements.....	15
Annex B (normative) Procedure for the calibration of spring hammers.....	18
B.1 Principle of calibration.....	18
B.2 Construction of the calibration device.....	18
B.3 Method of calibration of the calibration device.....	18
B.4 Use of the calibration device.....	19
Annex C (informative) Guidance notes.....	25
C.1 When is an impact test appropriate?.....	25

C.2	Choice of test apparatus.....	25
C.3	Choice of energy level.....	25
C.4	Information for testing	26
Annex D (informative)	Example of pendulum hammer test apparatus	27
Annex E (informative)	Example of spring hammer test apparatus.....	30
Bibliography	32
Figure 1	– Example sketch of a striking element.....	10
Figure 2	– Derivation of measuring point	13
Figure 3	– Shape of release head for 2 J	14
Figure A.1	– Example of a striking element for ≤ 1 J	15
Figure A.2	– Example of a striking element for 2 J	15
Figure A.3	– Example of a striking element for 5 J	16
Figure A.4	– Example of a striking element for 10 J	16
Figure A.5	– Example of a striking element for 20 J	17
Figure A.6	– Example of a striking element for 50 J	17
Figure B.1	– Calibration device.....	20
Figure B.2	– Pendulum "c".....	21
Figure B.3	– Steel spring of pendulum "c".....	21
Figure B.4	– Details of calibration device	22
Figure B.5	– Arrangement for the calibration of the calibration device	23
Figure B.6	– Division of scale plate "f"	24
Figure D.1	– Test apparatus	27
Figure D.2	– Striking element of the pendulum hammer for energies ≤ 1 J	28
Figure D.3	– Mounting fixture	28
Figure D.4	– Adapter for flush-type switches.....	29
Figure D.5	– Adapter for lamp holders.....	29
Figure E.1	– Spring hammer test apparatus.....	31
Table 1	– Coordinated characteristics of the striking elements	9
Table 2	– Height of fall	12
Table C.1	– Energy levels in joules.....	25
Table E.1	– Kinetic energy of striking element	30

INTERNATIONAL ELECTROTECHNICAL COMMISSION

ENVIRONMENTAL TESTING –

Part 2-75: Tests –
Test Eh: Hammer tests

FOREWORD

- 1) The International Electrotechnical Commission (IEC) is a worldwide organization for standardization comprising all national electrotechnical committees (IEC National Committees). The object of IEC is to promote international co-operation on all questions concerning standardization in the electrical and electronic fields. To this end and in addition to other activities, IEC publishes International Standards, Technical Specifications, Technical Reports, Publicly Available Specifications (PAS) and Guides (hereafter referred to as "IEC Publication(s)"). Their preparation is entrusted to technical committees; any IEC National Committee interested in the subject dealt with may participate in this preparatory work. International, governmental and non-governmental organizations liaising with the IEC also participate in this preparation. IEC collaborates closely with the International Organization for Standardization (ISO) in accordance with conditions determined by agreement between the two organizations.
- 2) The formal decisions or agreements of IEC on technical matters express, as nearly as possible, an international consensus of opinion on the relevant subjects since each technical committee has representation from all interested IEC National Committees.
- 3) IEC Publications have the form of recommendations for international use and are accepted by IEC National Committees in that sense. While all reasonable efforts are made to ensure that the technical content of IEC Publications is accurate, IEC cannot be held responsible for the way in which they are used or for any misinterpretation by any end user.
- 4) In order to promote international uniformity, IEC National Committees undertake to apply IEC Publications transparently to the maximum extent possible in their national and regional publications. Any divergence between any IEC Publication and the corresponding national or regional publication shall be clearly indicated in the latter.
- 5) IEC itself does not provide any attestation of conformity. Independent certification bodies provide conformity assessment services and, in some areas, access to IEC marks of conformity. IEC is not responsible for any services carried out by independent certification bodies.
- 6) All users should ensure that they have the latest edition of this publication.
- 7) No liability shall attach to IEC or its directors, employees, servants or agents including individual experts and members of its technical committees and IEC National Committees for any personal injury, property damage or other damage of any nature whatsoever, whether direct or indirect, or for costs (including legal fees) and expenses arising out of the publication, use of, or reliance upon, this IEC Publication or any other IEC Publications.
- 8) Attention is drawn to the Normative references cited in this publication. Use of the referenced publications is indispensable for the correct application of this publication.
- 9) Attention is drawn to the possibility that some of the elements of this IEC Publication may be the subject of patent rights. IEC shall not be held responsible for identifying any or all such patent rights.

International Standard IEC 60068-2-75 has been prepared by IEC technical committee 104: Environmental conditions, classification and methods of test.

This second edition cancels and replaces the first edition, published in 1997, and constitutes a technical revision.

This edition includes the following significant technical change with respect to the previous edition:

- reconsideration of some values in Tables 1 and 2. Although some values are no longer recommended, they have been retained as alternatives for historical consistency purposes.

It has the status of: a basic safety publication in accordance with IEC Guide 104.

The text of this standard is based on the following documents:

FDIS	Report on voting
104/635/FDIS	104/637/RVD

Full information on the voting for the approval of this standard can be found in the report on voting indicated in the above table.

This publication has been drafted in accordance with the ISO/IEC Directives, Part 2.

A list of all parts in the IEC 60068 series, published under the general title *Environmental testing*, can be found on the IEC website.

The committee has decided that the contents of this publication will remain unchanged until the stability date indicated on the IEC web site under "<http://webstore.iec.ch>" in the data related to the specific publication. At this date, the publication will be

- reconfirmed,
- withdrawn,
- replaced by a revised edition, or
- amended.

www.lisungroup.cc

INTRODUCTION

Mechanical impacts likely to stress electrotechnical equipment in service can be generated by hammers of various types. For standardization purposes, the results of such testing should not depend on the type of testing apparatus and therefore, the characteristics of the various types of test hammers described in this part of IEC 60068 are intended to be as close as practicable for the same severity level.

It is important to note that both Clause 3 and the test method selected from Clauses 4, 5, and 6 need to be complied with in order to satisfy the requirements of this International Standard.

The severity levels are, in general, taken from IEC 60721-1.

For coordination purposes, it has been necessary to change certain fundamental parameters of the previous tests Ef: Impact, pendulum hammer, and Eg: Impact, spring hammer. In all cases, both sets of parameters are shown at the appropriate places in the text. Although some values are no longer recommended, they have been retained as alternatives for historical consistency purposes. This is because they have application in certain industries as historic comparators.

www.Lisungroup.cc



ENVIRONMENTAL TESTING –

Part 2-75: Tests – Test Eh: Hammer tests

1 Scope

This part of IEC 60068 provides three standardized and coordinated test methods for determining the ability of a specimen to withstand specified severities of impact. It is used, in particular, to demonstrate an acceptable level of robustness when assessing the safety of a product and is primarily intended for the testing of electrotechnical items. It consists of the application to the specimen of a prescribed number of impacts defined by their impact energy and applied in the prescribed directions.

This part of IEC 60068 covers energy levels ranging from 0,14 J (joules) to 50 J (joules).

Three types of test apparatus are applicable to perform these tests. Annex C provides some guidance as to this aspect.

2 Normative references

The following documents, in whole or in part, are normatively referenced in this document and are indispensable for its application. For dated references, only the edition cited applies. For undated references, the latest edition of the referenced document (including any amendments) applies.

IEC 60068-1, *Environmental testing – Part 1: General and guidance*

IEC 60721-1, *Classification of environmental conditions – Part 1: Environmental parameters and their severities*

IEC Guide 104, *The preparation of safety publications and the use of basic safety publications and group safety publications*

IEC Guide 108, *Guidelines for ensuring the coherency of IEC publications – Application of horizontal standards*

ISO 1052, *Steels for general engineering purposes*

ISO 2039-2, *Plastics – Determination of hardness – Part 2: Rockwell hardness*

ISO 2041, *Vibration and shock and condition monitoring – Vocabulary*

ISO 2768-1, *General tolerances – Part 1: Tolerances for linear and angular dimensions without individual tolerances indications*

ISO 6508 (all parts), *Metallic materials – Rockwell hardness test*



3 Terms and definitions

For the purposes of this document, the terms and definitions used in ISO 2041 or in IEC 60068-1, together with the following, apply.

3.1

combined mass of the striking element

sum of the masses of the striking element and of the element's fixing system

3.2

fixing point

part of the specimen in contact with the mounting fixture at the point where the specimen is normally fastened in service

3.3

equivalent mass

mass of the striking element and any relevant portions of the test apparatus which, combined with its velocity, provides the impact energy

Note 1 to entry: For the particular application to the pendulum hammer apparatus, mass of the simple pendulum hammer calculated from the measure of the vertical force (in newtons) to be applied in the axis of the striking element to maintain the arm of the pendulum in a horizontal position, divided by the earth's gravity. When the mass of the arm is evenly distributed, the equivalent mass is equal to the sum of the combined mass of the striking element plus half the mass of the arm.

3.4

measuring point

point marked on the surface of the striking element where the line through the point of intersection of the axes of the arms of both of the pendulum and of the striking element, and perpendicular to the plane through both axes, meets the surface (see Figure 2).

Note 1 to entry: In some IEC standards which include a pendulum hammer test, the term "checking point" has been used but it has not been used here in order to avoid confusion with "check point" in other parts of IEC 60068-2.

Note 2 to entry: Theoretically, the centre of gravity of the striking element should be the measuring point. In practice, the centre of gravity is either difficult to determine or inaccessible, and the measuring point is therefore defined as above.

3.5

height of fall

vertical distance between the position of the measuring point when the pendulum is released and its position at the moment of impact (see Figure D.1).

4 Provisions common to all hammer test methods

4.1 Severities

4.1.1 General

The severity is defined by the impact energy value chosen from 4.1.2, and the number of impacts according to 4.1.3.

4.1.2 Impact energy value

The impact energy value shall be one of the following, as prescribed by the relevant specification:

0,14 – 0,2 – (0,3) – 0,35 – (0,4) – 0,5 – 0,7 – 1 – 2 – 5 – 10 – 20 – 50 J (joules).

NOTE Figures in brackets appear in previous IEC 60068-2 standards, although no longer recommended, they may be used for historic consistency.

4.1.3 Number of impacts

Unless otherwise prescribed by the relevant specification, the number of impacts shall be three per location.

4.2 Test apparatus

4.2.1 Description

Three types of test apparatus are available to perform these tests:

- the pendulum hammer;
- the spring hammer;
- the vertical hammer.

The types of test apparatus are defined in Clauses 5, 6 and 7 as tests Eha, Ehb and Ehc, respectively. The coordinated characteristics of the striking element are, in principle, similar in all three cases and are stated in Table 1 in relation to the outline shown in Figure 1.

Dimensions are in millimetres. Tolerances are as per class m of ISO 2768-1, unless otherwise stated.

Table 1 – Coordinated characteristics of the striking elements

Energy value J	≤1 ±10 %	2 ±5 %	5 ±5 %	10 ±5 %	20 ±5 %	50 ±5 %
Equivalent mass ±2 % kg	0,25 (0,2)	0,5	1,7	5	5	10
Material	Polyamide ^a	Steel ^b				
<i>R</i> mm	10	25	25	50	50	50
<i>D</i> mm	18,5 (20)	35	60	80	100	125
<i>f</i> mm	6,2(10)	7	10	20	20	25
<i>r</i> mm	–	–	6	–	10	17
<i>l</i> mm	To be adjusted to match the equivalent mass, see Annex A.					
^a 85 ≤ HRR ≤100, Rockwell hardness according to ISO 2039-2.						
^b Fe 490-2, according to ISO 1052: Rockwell hardness: HRE 80...85 according to ISO 6508.						
NOTE The values shown in brackets for the equivalent mass and the diameter of the striking element for the energy value equal to or less than 1 J are those in the current test Ef. The values currently in test Eg are also shown for these two parameters. Although, for coordination reasons, these values are no longer recommended, they are used by some industries for historical comparison purposes.						

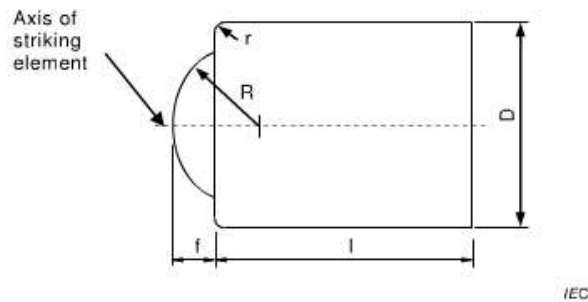


Figure 1 – Example sketch of a striking element

The striking surface shall be visually examined before each impact in order to ensure that there is no damage that might affect the result of the test.

4.2.2 Mounting

As prescribed by the relevant specification, the specimen shall either

- a) be mounted by its normal means on a rigid plane support, or
- b) be placed against a rigid plane support.

In order to ensure that the specimen is rigidly supported, it may be necessary when performing the test to place the specimen against a plane solid support, for example a wall or a floor made of brick or concrete, covered by a sheet of polyamide which is tightly fixed to the support.

Care shall be taken to ensure that there is no appreciable air gap between the sheet and the support. The sheet shall have a Rockwell hardness of $85 \leq \text{HRR} \leq 100$ according to ISO 2039-2, a thickness of approximately 8 mm and a surface area such that no parts of the specimen are mechanically over-stressed due to the supporting area being insufficient.

The mounting arrangement is deemed to be sufficiently rigid if the displacement of the impact surface of the plane support does not exceed 0,1 mm when struck by an impact applied directly to it with the same level of energy as for the specimen.

NOTE 1 For specimens to be subjected to impact energies not exceeding 1 J, some examples of mounting and support are shown in Figures D.3, D.4 and D.5.

NOTE 2 When the mass of the mounting is at least 20 times that of the specimen, the rigidity of the mounting is likely to be sufficient.

4.3 Preconditioning

The relevant specification may call for preconditioning; it shall then prescribe the conditions.

4.4 Initial measurements

The specimen shall be submitted to the visual, dimensional and functional checks prescribed by the relevant specification.

4.5 Testing

4.5.1 General

Secondary impacts, i.e. rebounds, shall be avoided.

4.5.2 Attitudes and impact locations

The relevant specification shall prescribe the attitudes of the specimen and the locations on the specimen corresponding to where damage is most likely to occur in practice and at which the impacts are to be applied. Unless otherwise specified by the relevant specification, the blows shall be applied perpendicularly to the tested surface.

4.5.3 Preparation of the specimen

The relevant specification shall state any requirements for the securing of bases, covers and similar items before the specimen is subjected to the impacts.

NOTE Account may need to be taken of requirements for functional monitoring (see 4.5.4 b)).

4.5.4 Operating mode and functional monitoring

The relevant specification shall state:

- a) whether the specimen is required to operate during impact;
- b) whether any functional monitoring is required.

In both cases, the relevant specification shall provide the criteria upon which the acceptance or rejection of the specimen is to be based.

NOTE Attention is drawn to the fact that, in case of breakage of the specimen, internal parts may become hazardous.

4.6 Recovery

The relevant specification may call for recovery and shall then prescribe the conditions.

4.7 Final measurements

The specimen shall be submitted to the visual, dimensional and functional checks prescribed by the relevant specification.

The relevant specification shall prescribe the criteria upon which the acceptance or rejection of the specimen is to be based.

4.8 Information to be given in the relevant specification

When one of the tests in this part of IEC 60068 is included in a relevant specification, the following details shall be given as far as they are applicable, paying particular attention to the items marked with an asterisk (*) as this information is always required:

	Subclause
a) Impact energy *	4.1.2
b) Number of impacts, if other than three per location	4.1.3
c) Type(s) of test apparatus to be used	4.2.1
d) Method of mounting *	4.4.2
e) Preconditioning	4.3
f) Initial measurements*	4.4
g) Attitude and impact locations *	4.5.2
h) Securing of bases, covers and similar components	4.5.3
i) Operating mode and functional monitoring*	4.5.4
j) Acceptance and rejection criteria *	4.5.4 and 4.7
k) Conditions for recovery	4.6

l) Final measurements*

4.7

5 Test Eha: Pendulum hammer

5.1 Test apparatus

5.1.1 General

The test apparatus consists basically of a pendulum rotating at its upper end in such a way as to be kept in a vertical plane. The axis of the pivot is at 1 000 mm above the measuring point. The pendulum is composed of a nominally rigid arm and of a striking element complying with the requirements of Table 1.

For testing heavy, voluminous or difficult-to-handle specimens, a portable pendulum may be used. It shall comply with the above description but its pivot may be fixed directly on the specimen or on a movable structure. In this case, it shall be ensured that, before the tests, the axis of the pendulum is horizontal, that its fixing is sufficiently rigid and that the impact point is in the vertical plane passing through the axis.

In all cases, when the pendulum is released, it shall be allowed to fall only under the influence of gravitational force.

5.1.2 Test apparatus for severities not exceeding 1 J

The striking element comprises a steel body with a polyamide insert having a hemispherical face. Its combined mass is 200 g (150 g) ± 1 g so that the equivalent mass complies with Table 1. Annex D gives an example of a test apparatus.

5.1.3 Test apparatus for severities of 2 J and above

The ratio of the mass of the arm to the combined mass of the striking element shall not be greater than 0,2 and the centre of gravity of the striking element shall be as close as is practicable to the axis of the arm.

For some particular applications, the pendulum arm is replaced by a cord and the striking element by a spherical steel ball. This is not recommended as the ball does not conform to the geometry of the striking element specified in this part of IEC 60068.

5.2 Height of fall

To produce impacts of the required severity, the striking element shall be released from a height depending on the equivalent mass of the pendulum, according to Table 2.

Table 2 – Height of fall

Energy J	0,14	0,2		(0,3)	0,35	(0,4)	0,5		0,7	1	2	5	10	20	50
Equivalent mass kg	0,25	(0,2)	0,25	(0,2)	0,25	(0,2)	(0,2)	0,25	0,25	0,25	0,5	1,7	5	5	10
Height of fall mm ± 1 %	56	(100)	80	(150)	140	(200)	(250)	200	280	400	400	300	200	400	500

NOTE 1 Figures in brackets appear in previous IEC 60068-2 standards; although no longer recommended, they may be used for historic consistency.

NOTE 2 In this part of IEC 60068, the energy, J, is calculated taking the standard acceleration due to the earth's gravity (g_n), rounded up to the nearest whole number, that is 10 m/s².

5.3 Testing

In order to avoid secondary impacts, i.e. rebounds, the hammer shall be retained after the initial impact by grasping the striking element whilst avoiding the arm so that distortion is prevented.

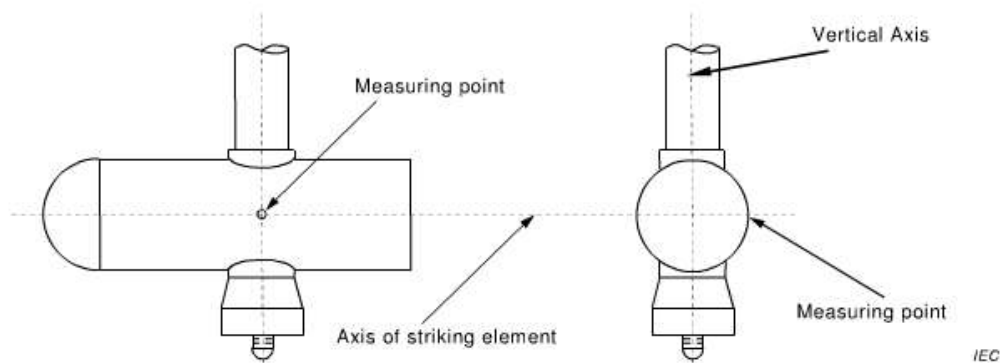


Figure 2 – Derivation of measuring point

6 Test Ehb: Spring hammer

6.1 Test apparatus

The spring hammer consists of three principal parts: the body, the striking element and the release system.

The body comprises the housing, the guide for the striking element, the release mechanism and all rigidly fixed parts.

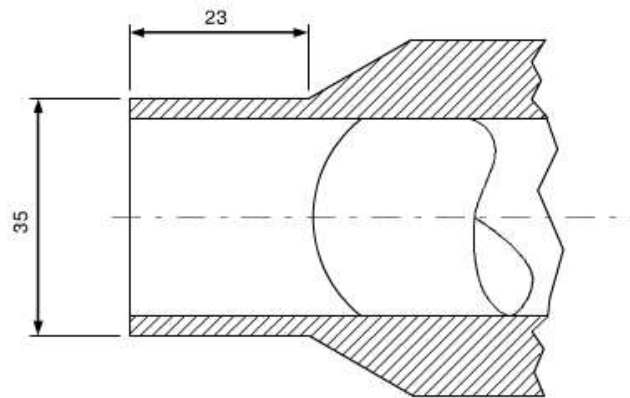
The striking element comprises the hammer head, the hammer shaft and the cocking knob. The mass of this assembly is 250 g (200 g) for severities not exceeding 1 J, and 500 g for 2 J (see Table 1 for tolerances).

The force to release the striking element shall not exceed 10 N.

The configuration of the hammer shaft, the hammer head and the means for the adjustment of the hammer spring is such that the hammer spring has released all its stored energy approximately 1 mm before the tip of the hammer head reaches the plane of impact. For the last millimetre of its travel, prior to impact, the striking element is thus, apart from friction, a freely moving mass having only kinetic energy and no stored energy. Moreover, after the tip of the hammer head has passed the plane of impact, the striking element is free to travel, without interference, over a further distance of between 8 mm and 12 mm. Annex E gives an example of a test apparatus.

In order to comply with Table 1, the shape of the release head for 2 J shall be cylindrical for a length of 23 mm with a diameter of 35 mm (see Figure 3).

Dimensions in millimetres



IEC

Figure 3 – Shape of release head for 2 J

6.2 Influence of earth's gravity

When the spring hammer is used in a position differing from the horizontal, the energy actually delivered is modified by ΔE . This variation is positive when the blows are applied downward, and negative when applied upward:

$$\Delta E = 10 \times m \times d \times \sin \alpha$$

where

- m is the mass of the striking element, in kilogrammes;
- d is the travel of the striking element inside the spring hammer, in metres;
- α is the angle of the axis of the striking element with the horizontal.

This variation shall be taken into account when establishing the actual energy delivered.

6.3 Calibration

The spring hammer shall be calibrated. Annex B gives a standardized preferred procedure (see Clause B.2 in particular for 2 J). Other methods of calibration may also be used, provided that evidence is available that they give equivalent accuracy.

7 Test Ehc: Vertical hammer

7.1 Test apparatus

The hammer consists basically of a striking element which falls freely from rest through a vertical height, selected from Table 2, on to the specimen surface held in a horizontal plane. The characteristics of the striking element shall comply with Table 1. The fall of the striking element shall be along a guideway, for example three or four rails, with negligible braking. This guideway shall not rest on the specimen and the striking element shall be free of the guideway on striking the specimen. In order to reduce the friction, the length l of the striking element shall not be smaller than its diameter D , and a small gap (for example 1 mm) shall be provided between the striking element and the guideway.

7.2 Height of fall

The height of fall shall be as given in Table 2, the equivalent mass stated therein being equal to the actual mass of the striking element.

Annex A (normative)

Shapes of striking elements

The figures in this annex show the shape and characteristics of the striking elements applicable to each of the six energy values defined in Table 1. For the purpose of these figures, the lengths of the striking element are calculated for vertical hammers or for pendulum hammers with arms of negligible mass. When the mass of the arms cannot be neglected, the lengths of the striking element should be reduced so that the equivalent mass meets the requirements of Table 1 (see 3.2).

Figure A.1 shows the striking element applicable to energy values of equal or less than 1 J. In this case, the impact face should be made of polyamide with a hardness as specified in Table 1.

Figures A.2, A.3 and A.4 show the striking elements applicable to energy values of 2 J, 5 J and 10 J, respectively. In these cases the impact face should be made of steel with properties, including hardness, as specified in Table 1.

Figures A.5 and A.6 show the striking elements applicable to energy values of 20 J and 50 J, respectively. In these cases, the impact face should be made of steel with properties, including hardness, as specified in Table 1. In these cases, to comply with the other parameters of Table 1, it is necessary to hollow out the end opposite to the striking face.

Every edge shall be smoothed.

The tolerances are as per class m of ISO 2768-1, unless otherwise stated.

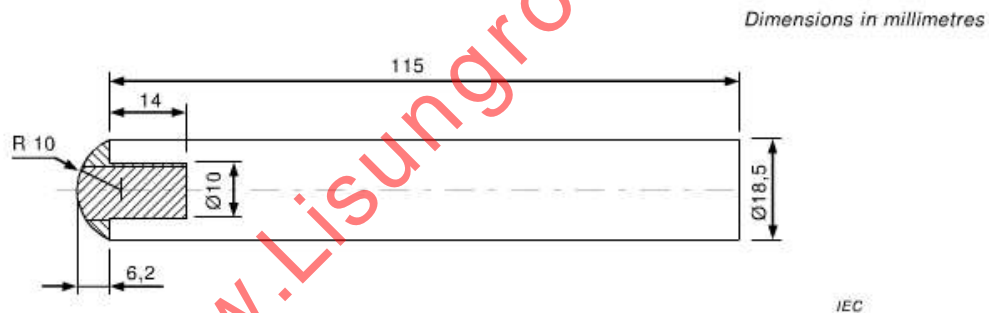


Figure A.1 – Example of a striking element for ≤ 1 J

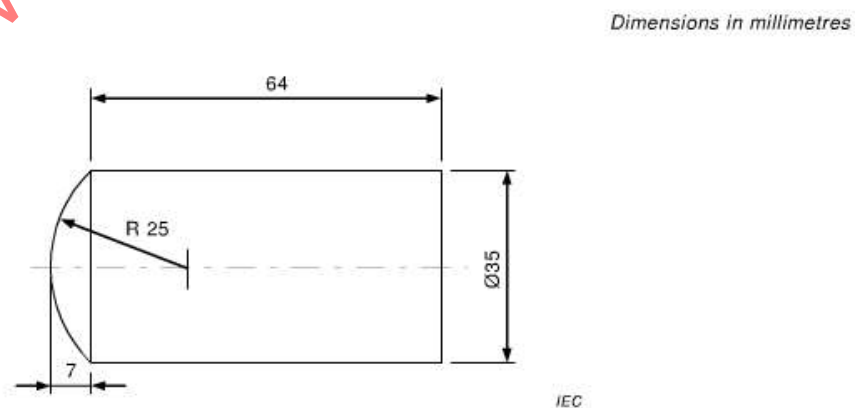


Figure A.2 – Example of a striking element for 2 J

Dimensions in millimetres

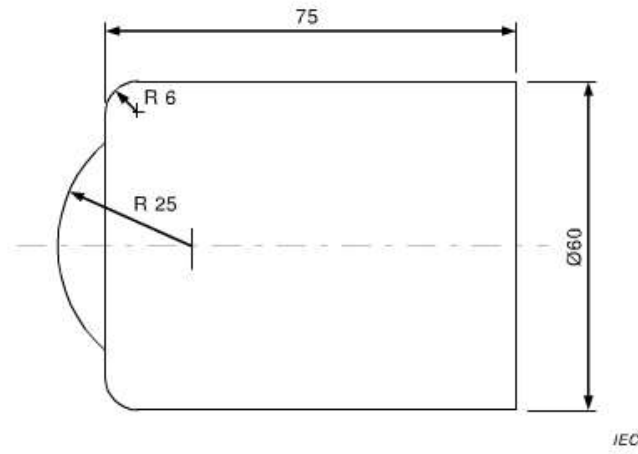


Figure A.3 – Example of a striking element for 5 J

Dimensions in millimetres

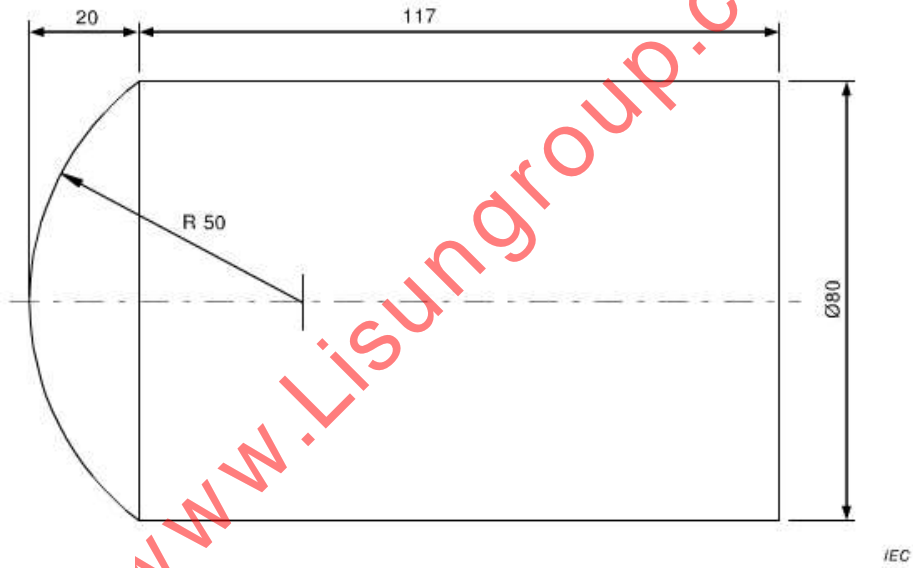


Figure A.4 – Example of a striking element for 10 J

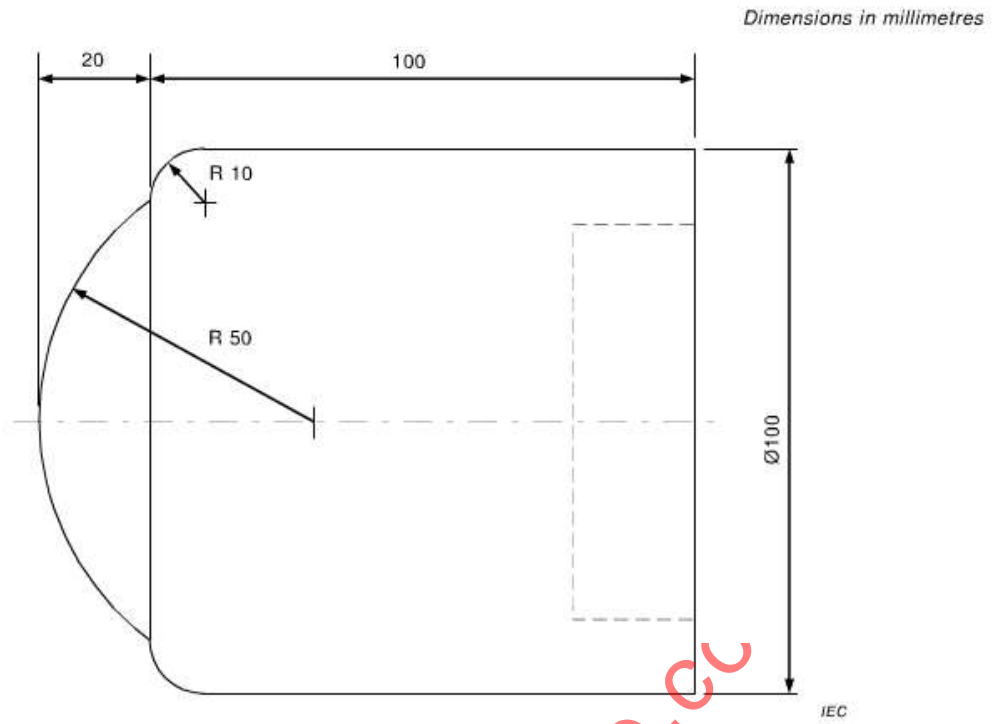


Figure A.5 – Example of a striking element for 20 J

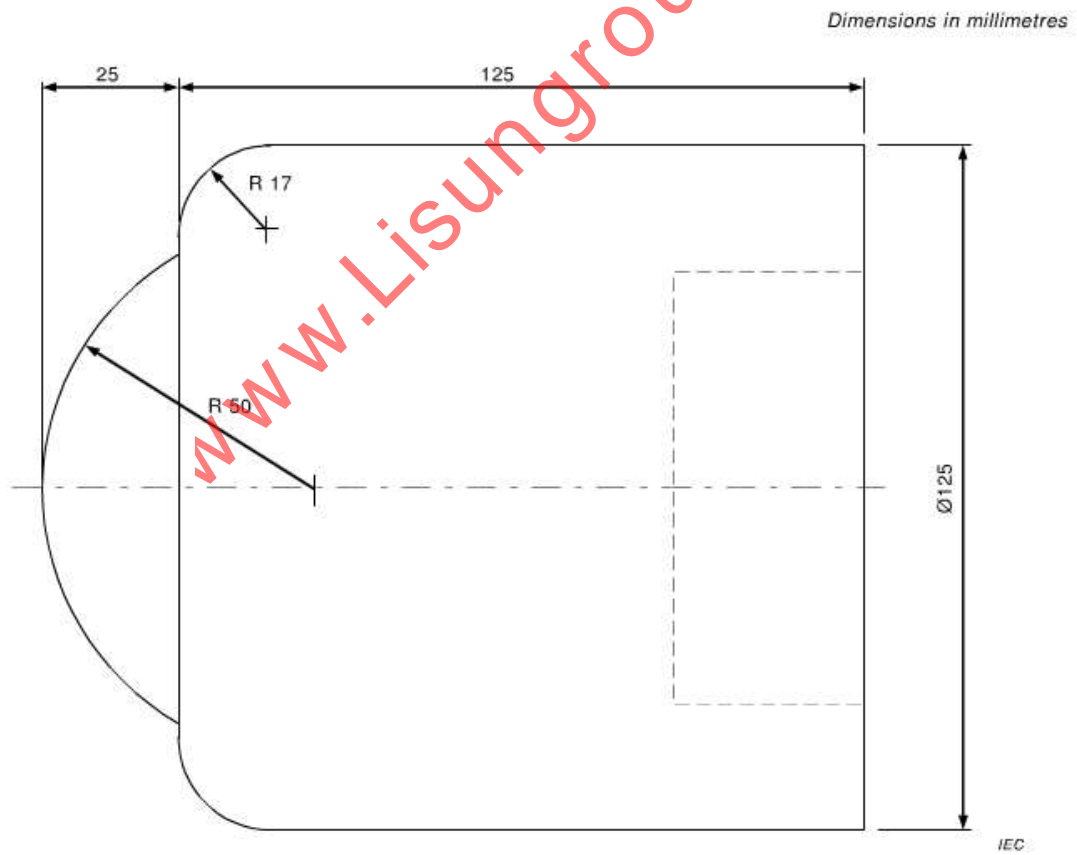


Figure A.6 – Example of a striking element for 50 J

Annex B (normative)

Procedure for the calibration of spring hammers

B.1 Principle of calibration

The principle of this calibration procedure is to compare the energy provided by a spring hammer, which is difficult to measure directly, to the energy of a pendulum, calculated from its mass and height of fall.

B.2 Construction of the calibration device

The assembled calibration device is shown in Figure B.1. Apart from the frame, the main parts are a bearing "a", a drag pointer "b", a pendulum "c", a release base "d" and a release device "e".

The main part of the calibration device is the pendulum "c" shown in Figure B.2. To the lower end of this pendulum is fixed a steel spring with the details shown in Figure B.3. The spring is of spring steel, requiring no special treatment, and is rigidly fixed to the pendulum "c".

Figure B.4 shows some parts on a larger scale.

It should be noted that this spring is designed for calibrating spring hammers having characteristics as defined in Table 1 for energy values equal to or less than 1 J. For calibrating spring hammers having characteristics as defined for 2 J, the spring of the pendulum of the calibrating device would need to be of a different design.

In order to obtain suitable friction characteristics of the pointer, a piece of thick woven cloth is placed between the metal surfaces of the bearing, the piano wires being bent in such a way that a small force is exerted against the cloth.

Because the release device is removed during the calibration of the calibration device, the release device is fixed to the release base by means of screws.

B.3 Method of calibration of the calibration device

The calibration of the calibration device is effected by using a calibration striking element "g" taken from a spring hammer, as shown in Figure B.5. Before calibration, the release device is removed from the calibrating device.

The calibration striking element is suspended by four linen threads "h" from suspension points situated in a horizontal plane, 2 000 mm above the point of contact between the pendulum and the calibration striking element when the latter is in its rest position. The calibration striking element is allowed to swing against the pendulum and the point of contact under dynamic conditions, point "k", shall be not more than 1 mm below the point of contact in the rest position. The suspension points are then raised over a distance equal to the difference between both contact points.

When the suspension system is adjusted, the axis of the calibration striking element "g" shall be at right angles to the impact surface of the pendulum "c" and the calibration striking element shall be horizontal at the moment of impact.

When the calibration striking element is in its rest position, the calibration device is placed so that point "k" is positioned exactly at the head of the calibration striking element.

To obtain reliable results, the calibration device is rigidly fixed to a massive support, for example to a structural part of a building.

The height of fall is measured at the centre of gravity of the calibration striking element and the measurement can be facilitated by using a liquid level device consisting of two glass tubes "j", which are interconnected by means of a flexible hose. One of the glass tubes is fixed and provided with a scale "l".

The calibration striking element may be held in its upper position by means of a thin thread "m" which, when ruptured, causes the release of the calibration striking element.

For scaling the calibration device, a circle is drawn on the scale plate, the centre of this circle coinciding with the bearing of the pendulum and its radius being such that the circle extends to the drag pointer. On this circle, the zero point 0 J shown in Figure B.6 is marked at the point indicated by the drag pointer when the latter is brought into contact with the pendulum in the rest position.

The calibration is made with an impact energy of 1 J, which is achieved with a height of fall of $408 \text{ mm} \pm 1 \text{ mm}$, with a calibration striking element of 250 g.

The point on the scale plate corresponding to 1 J is obtained by allowing the suspended calibration striking element to swing against point "k" on the spring of the pendulum. After hitting the pendulum, the calibration striking element shall not move. The operation is repeated at least 10 times and the 1 J point is the average of the indications of the drag pointer.

The other points of the scale are then determined as follows:

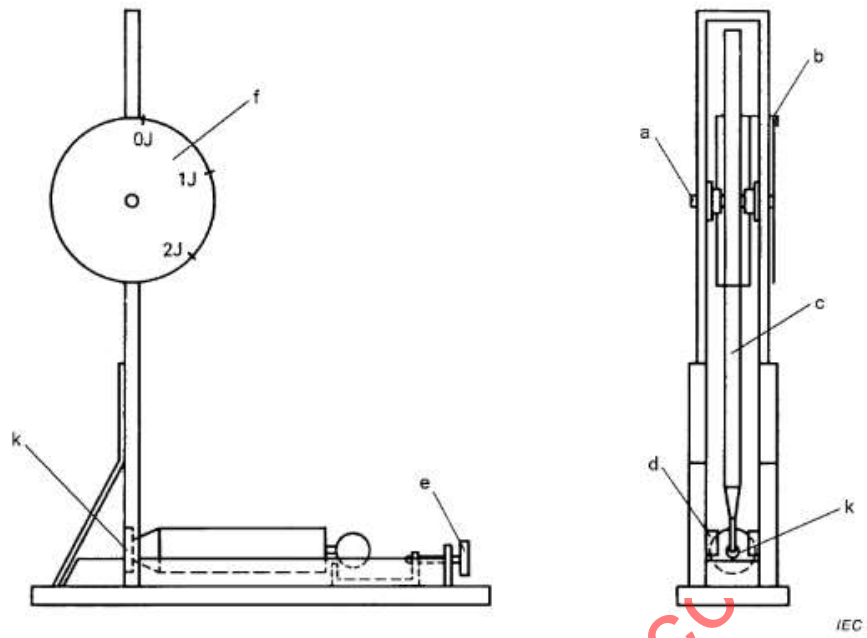
- a) a straight line is drawn through the centre of the circle and the 0 J point;
- b) the orthogonal projection of the 1 J point on this line is indicated by P;
- c) the distance between the points 0 J and P is divided into 10 equal parts;
- d) through each dividing point, a line is drawn perpendicular to the line 0 J-P;
- e) the intersections between these lines and the circle correspond to values of impact energy equal to 0,1 J; 0,2 J; up to 0,9 J.

The same principle can be used for extending the scale beyond the 1 J point. The division of the scale plate "f" is shown in Figure B.6.

B.4 Use of the calibration device

The spring hammer to be calibrated is put in the release base and is then operated three times by means of the release device; it shall not be released manually.

For each operation, the striking element of the spring hammer to be calibrated is turned in a different position. The average value of the three readings on the calibration device is taken to be the actual value of the impact energy of the specimen.



- Key
- a bearing
 - b drag pointer
 - c pendulum
 - d release base
 - e release device
 - f scale plate
 - k point where blows are applied, i.e. impact point

Figure B.1 – Calibration device

www.Lisungroup.com

Dimensions in millimetres

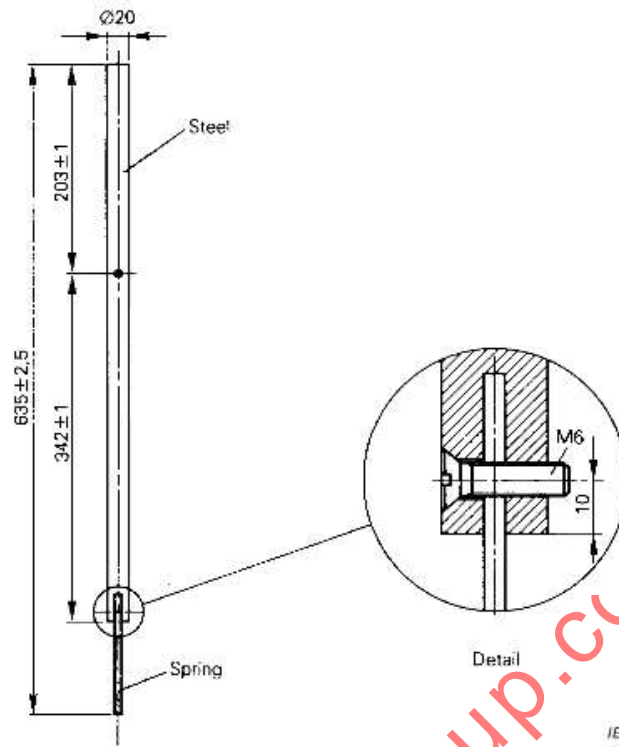


Figure B.2 – Pendulum "c"

Dimensions in millimetres

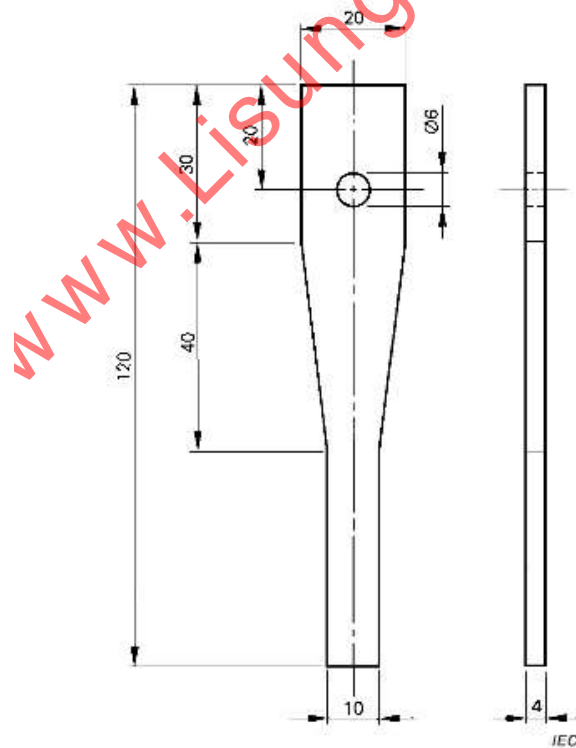


Figure B.3 – Steel spring of pendulum "c"

Dimensions in millimetres

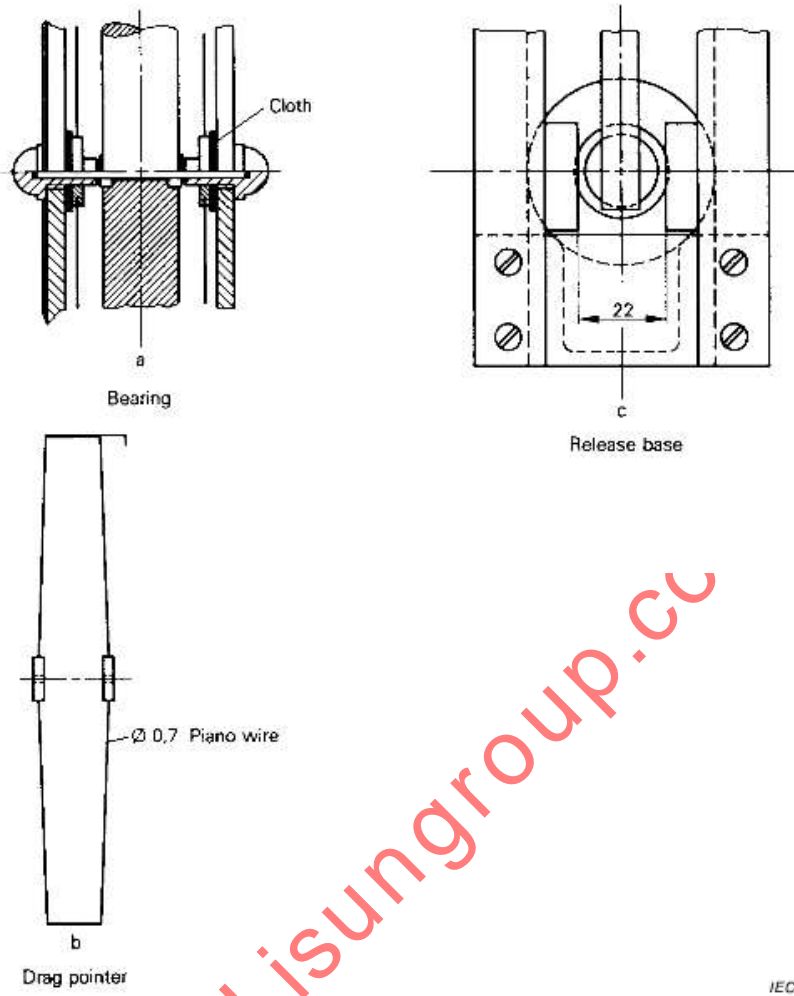
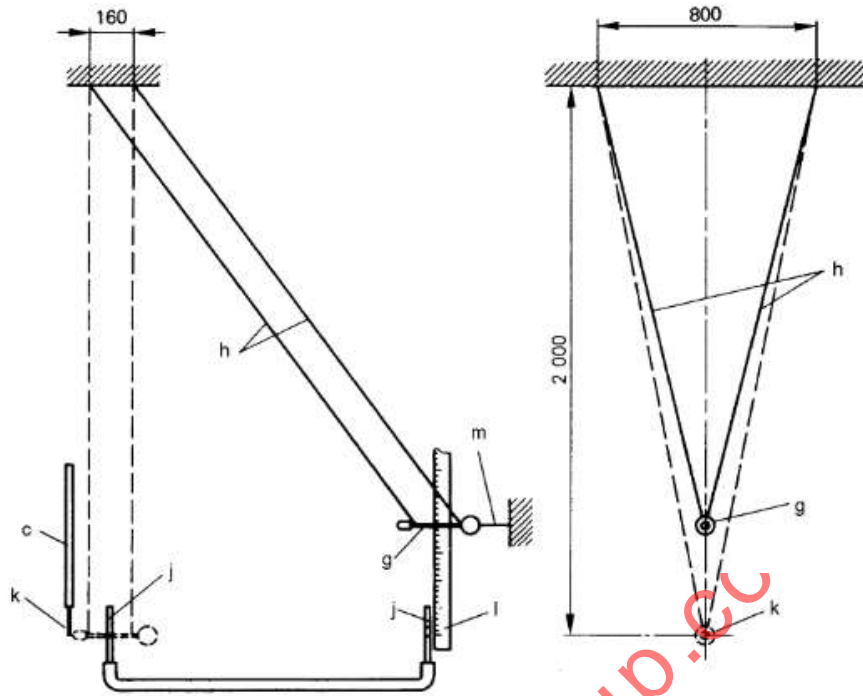


Figure B.4 – Details of calibration device

www.Lisungroup.cc

IEC

Dimensions in millimetres



IEC

Key

- c pendulum of Figure B.1
- g calibration striking element
- h linen threads
- j glass tubes
- k impact point
- l scale
- M thin thread

NOTE For clarity only, the pendulum "c" of the calibration device is shown in this figure.

Figure B.5 – Arrangement for the calibration of the calibration device

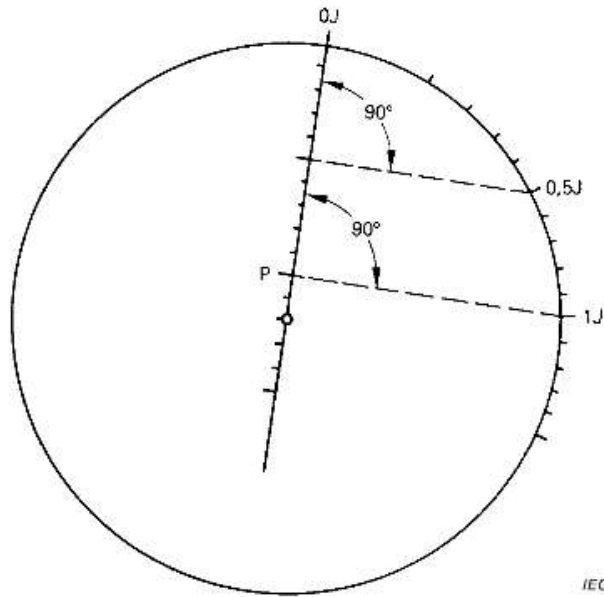


Figure B.6 – Division of scale plate "f"

IEC

www.Lisungroup.cc

Annex C (informative)

Guidance notes

C.1 When is an impact test appropriate?

An impact test is appropriate for equipment likely to be used in areas with non-restricted access and where impacts are likely to occur. For equipment destined for areas with restricted access, an impact test may be appropriate but is likely to be of a lower severity.

It is particularly applicable when the equipment is of a brittle nature.

C.2 Choice of test apparatus

This part of IEC 60068 provides three test methods which, as far as is practicable, are intended to give similar results. To obtain repeatable and reproducible results, this test is more dependent on the details of the test apparatus than is usual in IEC 60068 standards.

The choice of the test apparatus depends on the orientation of the surface to be tested and on the energy level. Not all methods can be used in every case. It is self-evident that a pendulum hammer can only be used on vertical surfaces without overhangings. Similarly, the vertical hammer can normally only be used on accessible horizontal surfaces. When the specimen cannot be moved or turned for any reason, the choice is limited. The advantage of the spring hammer is that it can be used in any position, provided there is enough room to apply it correctly and that the specified impact energy does not exceed 2 J. For higher energy levels, a spring hammer would be too difficult to handle, and could even be hazardous for the operator.

C.3 Choice of energy level

The energy of impacts depends on the mass of the striking object and its speed, which may be generated by its fall. Table C.1 gives theoretical energy levels which approximate to values given in this part of IEC 60068.

Table C.1 – Energy levels in joules

Height of fall m	Speed m/s	Mass of striking object kg					
		0,1	0,2	0,5	1	2	5
0,1	1,4	0,1	0,2	0,5	1	2	5
0,2	2	0,2	0,4	1	2	4	10
0,5	3,1	0,5	1	2,5	5	10	25
1	4,4	1	2	5	10	20	50

The values of Table C.1 correspond to blows perpendicular to the specimen surface.

Much higher energies can be encountered in particular situations such as vandalism or in a car accident. In these cases, consideration should be given to the use of additional protection such as barriers or walls.

C.4 Information for testing

The temperature of the specimen may influence the results of the tests and the relevant specification should take this into account, when applicable.

Impact tests can be specified in sequence with other tests, but attention is drawn to the fact that some standardized tests are required to be performed on new specimens, which excludes previous hammer tests.

The main performance criteria should be derived from how the operational and survival characteristics of the specimen are influenced by mechanical impacts.

The other important aspect is safety, which can be the prime consideration in certain circumstances.

www.Lisungroup.cc

Annex D (informative)

Example of pendulum hammer test apparatus

Figure D.1 shows an example of a pendulum hammer test apparatus for energies not exceeding 1 J. The striking element complies with 5.2.2 and Figure D.2. The arm is a steel tube with an external diameter of 9 mm (nominal), and a wall thickness of 0,5 mm (nominal).

The specimens are mounted on a sheet of plywood 8 mm thick and 175 mm square, preferably according to ISO 1098, secured at its top and bottom edges to a rigid bracket, which is part of the mounting fixture, as shown as an example in Figure D.3. The mounting fixture has a mass of $10 \text{ kg} \pm 1 \text{ kg}$ and is mounted on a rigid frame by means of pivots. The frame is itself fixed to a solid wall.

The design of the mounting is such that

- the specimen can be placed so that the point of impact lies in the vertical plane through the axis of the pendulum pivot,
- the specimen can be moved horizontally and turned about an axis perpendicular to the surface of the plywood,
- the plywood can be turned about a vertical axis.

The specimens are mounted on the plywood as in normal service. Where it is not possible to mount the specimen directly on the plywood, a suitable adapter should be prescribed by the relevant specification. An example of an adapter for flush-type switches is shown in Figure D.4, and an example of an adapter for lamp holders is shown in Figure D.5.

Dimensions in millimetres

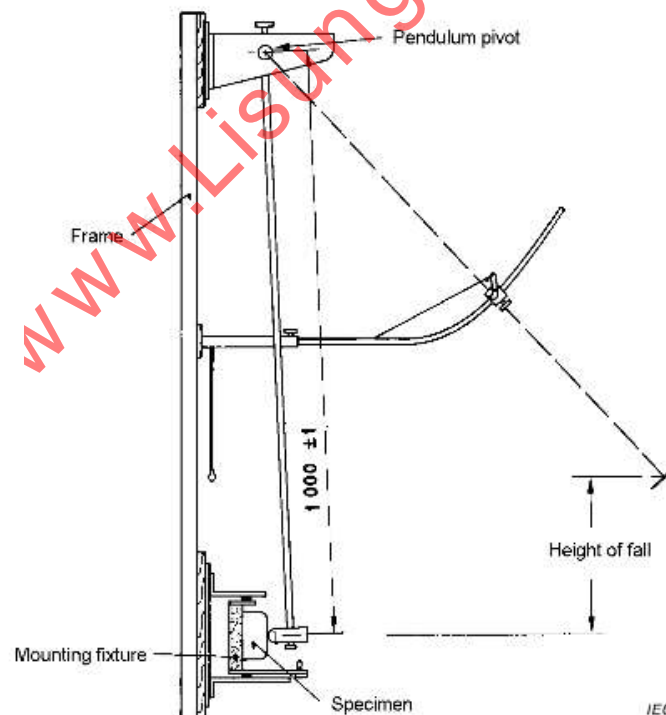
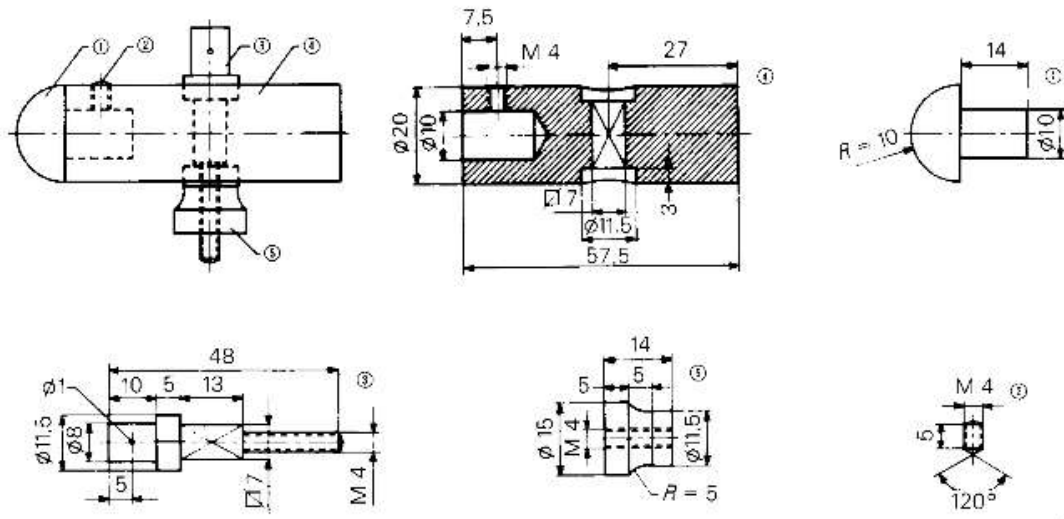


Figure D.1 – Test apparatus

Dimensions in millimetres

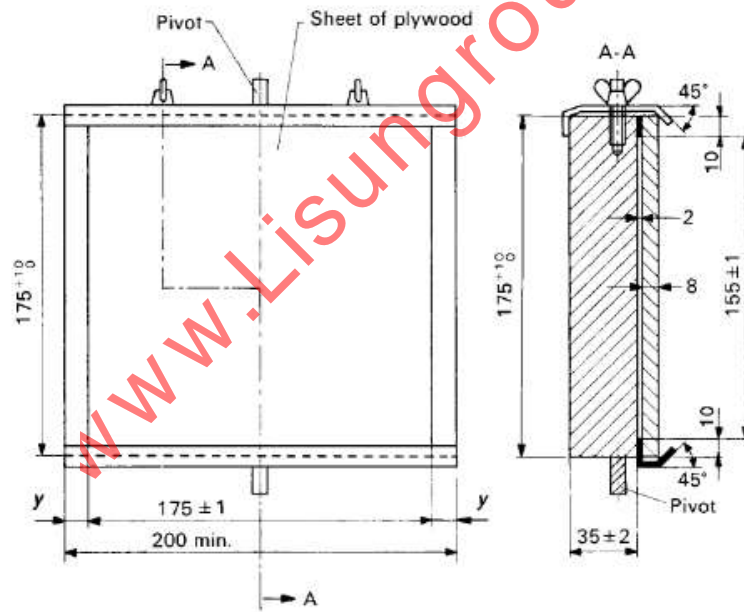


IEC

NOTE See Table 1.

Figure D.2 – Striking element of the pendulum hammer for energies ≤ 1 J

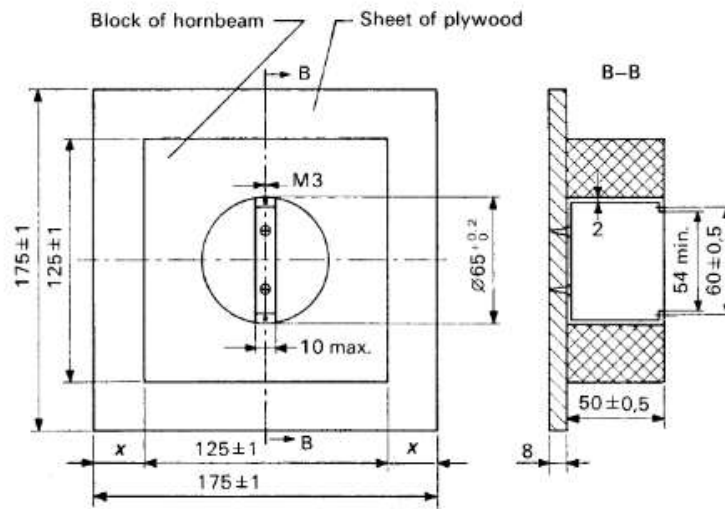
Dimensions in millimetres



IEC

Figure D.3 – Mounting fixture

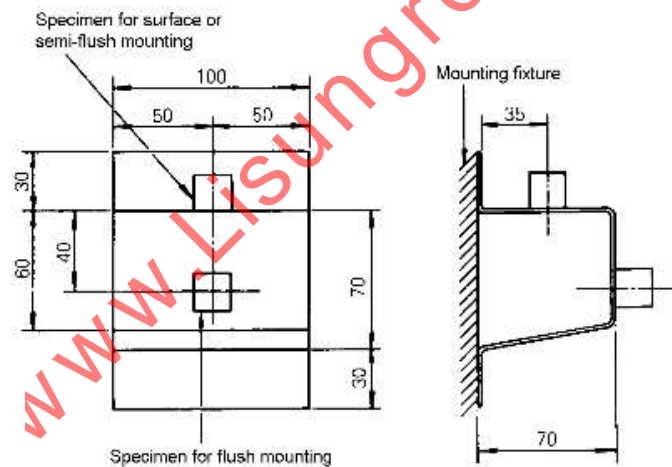
Dimensions in millimetres



IEC

Figure D.4 – Adapter for flush-type switches

Dimensions in millimetres



IEC

Figure D.5 – Adapter for lamp holders

Annex E (informative)

Example of spring hammer test apparatus

Figure E.1 shows an example of a spring hammer test apparatus complying with Clause 5, for energies not exceeding 1 J. The mass of the body assembly is 1 250 g ± 10 g. The hammer head is fixed to the hammer shaft in such a way that the distance from its tip to the plane of impact (the plane of the cone truncation), when the striking element is on the point of release, has approximately the value shown for the spring compression in Table E.1.

Table E.1 – Kinetic energy of striking element

Kinetic energy (<i>E</i>) just before impact J	Approximate spring compression with spring constant of 2,75 × 10 ³ N/m mm
0,14 ± 0,014	10
0,20 ± 0,02	13
0,35 ± 0,03	17
0,50 ± 0,04	20
0,70 ± 0,05	24
1,00 ± 0,05	28

NOTE The approximate value of the kinetic energy in joules, just before the impact, can be calculated from the following formula:

$$E = 0,5 FC \times 10^{-3}$$

where

F is the force exerted by the hammer spring, when fully compressed, in newtons;

C is the compression of the hammer spring, in millimetres.

The energy stated above is achieved in the horizontal position.

The cone has a mass of approximately 60 g and the cone spring is such that it exerts a force of approximately 5 N when the release jaws are on the point of releasing the striking element. The release mechanism springs are adjusted so that they exert just sufficient pressure to keep the release jaws in the engaged position.

The apparatus is cocked by pulling the cocking knob back until the release jaws engage with the groove in the hammer shaft. The release cone of the test apparatus is pushed against the prescribed position(s) on the specimen, perpendicular to the surface of the specimen. The pressure is slowly increased so that the cone moves back relative to the body of the apparatus until it is in contact with the release bars, which then move to operate the release mechanism and allow the hammer to strike the specimen.

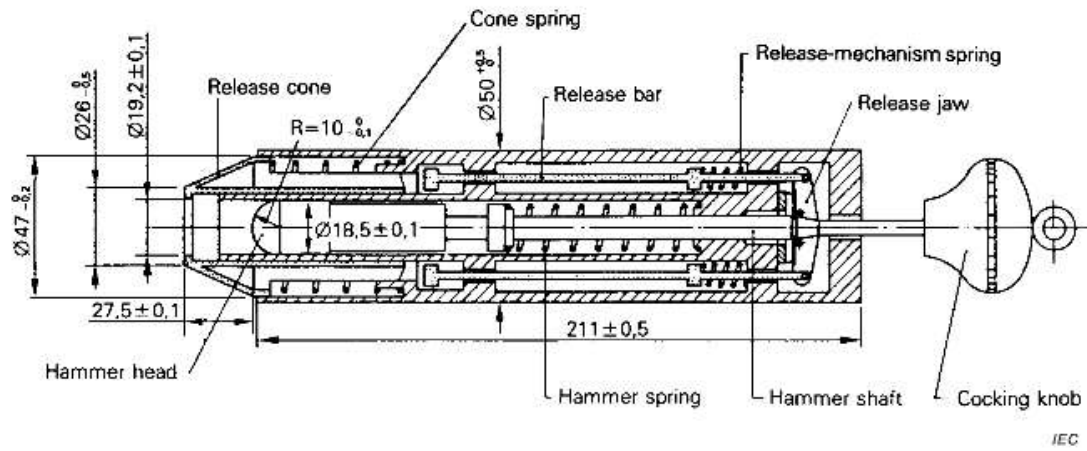


Figure E.1 – Spring hammer test apparatus

www.Lisungroup.com

Bibliography

ISO 1098, *Veneer plywood for general use – General requirements*
(withdrawn)

www.lisungroup.cc

www.Lisungroup.cc

SOMMAIRE

AVANT-PROPOS	36
INTRODUCTION	38
1 Domaine d'application	39
2 Références normatives	39
3 Termes et définitions	40
4 Dispositions communes à toutes les méthodes d'essai aux marteaux	40
4.1 Sévérités	40
4.1.1 Généralités	40
4.1.2 Valeurs de l'énergie d'impact	40
4.1.3 Nombre d'impacts	41
4.2 Appareillage d'essai	41
4.2.1 Description	41
4.2.2 Fixation	42
4.3 Préconditionnement	42
4.4 Mesures initiales	42
4.5 Épreuve	42
4.5.1 Généralités	42
4.5.2 Positions du spécimen et points d'impact	43
4.5.3 Préparation du spécimen	43
4.5.4 Mode opératoire et contrôle fonctionnel	43
4.6 Reprise	43
4.7 Mesures finales	43
4.8 Renseignements que la spécification particulière doit donner	43
5 Essai Eha: Marteau pendulaire	44
5.1 Appareillage d'essai	44
5.1.1 Généralités	44
5.1.2 Appareillage d'essai pour les sévérités ne dépassant pas 1 J	44
5.1.3 Appareillage d'essai pour les sévérités de 2 J et plus	44
5.2 Hauteur de chute	44
5.3 Essais	45
6 Essai Ehb: Marteau à ressort	45
6.1 Appareillage d'essai	45
6.2 Influence de la gravité terrestre	46
6.3 Étalonnage	46
7 Essai Ehc: Marteau vertical	46
7.1 Appareillage d'essai	46
7.2 Hauteur de chute	47
Annexe A (normative) Formes des pièces de frappe	48
Annexe B (normative) Procédure pour étalonner les marteaux à ressort	51
B.1 Principe d'étalonnage	51
B.2 Construction du dispositif d'étalonnage	51
B.3 Méthode d'étalonnage du dispositif d'étalonnage	51
B.4 Utilisation du dispositif d'étalonnage	52
Annexe C (informative) Lignes directrices	58
C.1 Quand un essai de choc est-il conseillé?	58

C.2	Choix de l'appareillage d'essai	58
C.3	Choix du niveau d'énergie	58
C.4	Informations relatives aux essais	59
Annexe D (informative)	Exemple d'appareil d'essai de marteau pendulaire	60
Annexe E (informative)	Exemple d'appareil d'essai de marteau à ressort	63
Bibliographie	65
Figure 1	– Exemple de pièce de frappe.....	42
Figure 2	– Détermination du point de mesure.....	45
Figure 3	– Forme de la tête de déclenchement pour 2 J.....	46
Figure A.1	– Exemple de pièce de frappe pour ≤ 1 J.....	48
Figure A.2	– Exemple de pièce de frappe pour une valeur 2 J.....	48
Figure A.3	– Exemple de pièce de frappe pour une valeur 5 J.....	49
Figure A.4	– Exemple de pièce de frappe pour une valeur 10 J.....	49
Figure A.5	– Exemple de pièce de frappe pour une valeur 20 J.....	50
Figure A.6	– Exemple de pièce de frappe pour une valeur 50 J.....	50
Figure B.1	– Dispositif d'étalonnage	53
Figure B.2	– Pendule «c»	54
Figure B.3	– Ressort en acier du pendule "c".....	54
Figure B.4	– Détails du dispositif d'étalonnage.....	55
Figure B.5	– Dispositif prévu pour l'étalonnage du dispositif d'étalonnage	56
Figure B.6	– Division du cadran "f"	57
Figure D.1	– Appareillage d'essai	60
Figure D.2	– Pièce de frappe du marteau pendulaire pour énergies ≤ 1 J.....	61
Figure D.3	– Bâti de fixation	61
Figure D.4	– Adaptateur pour interrupteurs pour pose encastrée.....	62
Figure D.5	– Adaptateur pour douilles.....	62
Figure E.1	– Appareil d'essai de marteau à ressort.....	64
Tableau 1	– Caractéristiques coordonnées des pièces de frappe	41
Tableau 2	– Hauteur de chute	45
Tableau C.1	– Niveaux d'énergie en joules	58
Tableau E.1	– Énergie cinétique de la pièce de frappe.....	63

COMMISSION ÉLECTROTECHNIQUE INTERNATIONALE

ESSAIS D'ENVIRONNEMENT –

Partie 2-75: Essais –
Test Eh: Essais au marteau

AVANT-PROPOS

- 1) La Commission Electrotechnique Internationale (IEC) est une organisation mondiale de normalisation composée de l'ensemble des comités électrotechniques nationaux (Comités nationaux de l'IEC). L'IEC a pour objet de favoriser la coopération internationale pour toutes les questions de normalisation dans les domaines de l'électricité et de l'électronique. A cet effet, l'IEC – entre autres activités – publie des Normes internationales, des Spécifications techniques, des Rapports techniques, des Spécifications accessibles au public (PAS) et des Guides (ci-après dénommés "Publication(s) de l'IEC"). Leur élaboration est confiée à des comités d'études, aux travaux desquels tout Comité national intéressé par le sujet traité peut participer. Les organisations internationales, gouvernementales et non gouvernementales, en liaison avec l'IEC, participent également aux travaux. L'IEC collabore étroitement avec l'Organisation Internationale de Normalisation (ISO), selon des conditions fixées par accord entre les deux organisations.
- 2) Les décisions ou accords officiels de l'IEC concernant les questions techniques représentent, dans la mesure du possible, un accord international sur les sujets étudiés, étant donné que les Comités nationaux de l'IEC intéressés sont représentés dans chaque comité d'études.
- 3) Les Publications de l'IEC se présentent sous la forme de recommandations internationales et sont agréées comme telles par les Comités nationaux de l'IEC. Tous les efforts raisonnables sont entrepris afin que l'IEC s'assure de l'exactitude du contenu technique de ses publications; l'IEC ne peut pas être tenue responsable de l'éventuelle mauvaise utilisation ou interprétation qui en est faite par un quelconque utilisateur final.
- 4) Dans le but d'encourager l'uniformité internationale, les Comités nationaux de l'IEC s'engagent, dans toute la mesure possible, à appliquer de façon transparente les Publications de l'IEC dans leurs publications nationales et régionales. Toutes divergences entre toutes Publications de l'IEC et toutes publications nationales ou régionales correspondantes doivent être indiquées en termes clairs dans ces dernières.
- 5) L'IEC elle-même ne fournit aucune attestation de conformité. Des organismes de certification indépendants fournissent des services d'évaluation de conformité et, dans certains secteurs, accèdent aux marques de conformité de l'IEC. L'IEC n'est responsable d'aucun des services effectués par les organismes de certification indépendants.
- 6) Tous les utilisateurs doivent s'assurer qu'ils sont en possession de la dernière édition de cette publication.
- 7) Aucune responsabilité ne doit être imputée à l'IEC, à ses administrateurs, employés, auxiliaires ou mandataires, y compris ses experts particuliers et les membres de ses comités d'études et des Comités nationaux de l'IEC, pour tout préjudice causé en cas de dommages corporels et matériels, ou de tout autre dommage de quelque nature que ce soit, directe ou indirecte, ou pour supporter les coûts (y compris les frais de justice) et les dépenses découlant de la publication ou de l'utilisation de cette Publication de l'IEC ou de toute autre Publication de l'IEC, ou au crédit qui lui est accordé.
- 8) L'attention est attirée sur les références normatives citées dans cette publication. L'utilisation de publications référencées est obligatoire pour une application correcte de la présente publication.
- 9) L'attention est attirée sur le fait que certains des éléments de la présente Publication de l'IEC peuvent faire l'objet de droits de brevet. L'IEC ne saurait être tenue pour responsable de ne pas avoir identifié de tels droits de brevets et de ne pas avoir signalé leur existence.

La Norme internationale IEC 60068-2-75 a été établie par le comité d'études 104 de l'IEC: Conditions, classification et essais d'environnement.

Cette deuxième édition annule et remplace la première édition, parue en 1997, et constitue une révision technique.

Cette édition inclut la modification technique significative suivante par rapport à l'édition précédente:

- réexamen de certaines valeurs figurant dans les Tableaux 1 et 2. Bien qu'elles ne soient plus recommandées, certaines valeurs ont été conservées comme alternatives dans un but de cohérence avec la pratique antérieure.

Elle a le statut d'une publication fondamentale de sécurité, conformément au Guide 104 de l'IEC.

Le texte de cette norme est issu des documents suivants:

FDIS	Rapport de vote
104/635/FDIS	104/637/RVD

Le rapport de vote indiqué dans le tableau ci-dessus donne toute information sur le vote ayant abouti à l'approbation de cette norme.

Cette publication a été rédigée selon les Directives ISO/IEC, Partie 2.

Une liste de toutes les parties de la série IEC 60068, publiées sous le titre général *Essais d'environnement*, peut être consultée sur le site web de l'IEC.

Le comité a décidé que le contenu de cette publication ne sera pas modifié avant la date de stabilité indiquée sur le site web de l'IEC sous "<http://webstore.iec.ch>" dans les données relatives à la publication recherchée. A cette date, la publication sera

- reconduite,
- supprimée,
- remplacée par une édition révisée, ou
- amendée.

www.Lisungroup.com

INTRODUCTION

Les impacts mécaniques susceptibles de générer des contraintes sur les matériels électrotechniques en service peuvent être obtenus avec des marteaux de types variés. Pour les besoins de la normalisation, il convient que les résultats de tels essais ne dépendent pas du moyen d'essai utilisé et les caractéristiques des différents types de marteaux d'essai décrits dans cette partie de l'IEC 60068 sont donc aussi proches que possible pour une même sévérité d'essai.

Il est important de remarquer que l'Article 3 et les méthodes d'essai choisies dans les Articles 4, 5 et 6 sont à respecter, afin de satisfaire aux exigences de la présente Norme internationale.

Les niveaux de sévérité sont généralement choisis dans l'IEC 60721-1.

Pour des besoins de coordination, il a été nécessaire de changer certains paramètres fondamentaux des anciens essais Ef: Impacts, marteau pendulaire, et Eg: Impacts, marteau à ressort. Dans tous les cas, les deux ensembles de paramètres sont donnés aux emplacements appropriés du texte. Bien qu'elles ne soient plus recommandées, certaines valeurs ont été conservées comme alternatives dans un but de cohérence avec la pratique antérieure. Ceci a été décidé, car elles ont des applications dans certains secteurs industriels en tant que valeurs de comparaisons historiques.

www.Lisungroup.com

ESSAIS D'ENVIRONNEMENT –

Partie 2-75: Essais – Test Eh: Essais au marteau

1 Domaine d'application

La présente partie de l'IEC 60068 fournit trois méthodes d'essai normalisées et coordonnées pour déterminer l'aptitude d'un spécimen à supporter des sévérités spécifiées d'impact. Elle est utilisée en particulier pour démontrer un niveau acceptable de robustesse mécanique pour l'évaluation de la sécurité d'un produit; elle est destinée, en premier lieu, à l'essai de produits électrotechniques. Elle consiste à appliquer au spécimen un nombre prescrit d'impacts définis par leur énergie et appliqués dans des directions spécifiées.

La présente partie de l'IEC 60068 couvre les niveaux d'énergie allant de 0,14 J (joules) à 50 J (joules).

Trois types d'appareillages d'essai sont utilisables pour effectuer ces essais. L'Annexe C donne quelques indications relatives à cet aspect.

2 Références normatives

Les documents suivants sont cités en référence de manière normative, en intégralité ou en partie, dans le présent document et sont indispensables pour son application. Pour les références datées, seule l'édition citée s'applique. Pour les références non datées, la dernière édition du document de référence s'applique (y compris les éventuels amendements).

IEC 60068-1, *Essais d'environnement – Partie 1: Généralités et guide*

IEC 60721-1, *Classification des conditions d'environnement – Partie 1: Agents d'environnement et leurs sévérités*

IEC Guide 104, *The preparation of safety publications and the use of basic safety publications and group safety publications*
(disponible en anglais seulement)

IEC Guide 108, *Lignes directrices pour assurer la cohérence des publications de la CEI – Application des normes horizontales*

ISO 1052, *Aciers de construction mécanique d'usage général*

ISO 2039-2, *Plastiques – Détermination de la dureté – Partie 2: Dureté Rockwell*

ISO 2041, *Vibrations et chocs mécaniques, et leur surveillance – Vocabulaire*
(disponible en anglais seulement)

ISO 2768-1, *Tolérances générales – Partie 1: Tolérances pour dimensions linéaires et angulaires non affectées de tolérances individuelles*

ISO 6508 (toutes les parties), *Matériaux métalliques – Essai de dureté Rockwell*

3 Termes et définitions

Pour les besoins du présent document, les termes et les définitions utilisés dans l'ISO 2041 ou dans l'IEC 60068-1, ainsi que les suivants s'appliquent.

3.1

masse combinée de la pièce de frappe

somme des masses de la pièce de frappe et de son système de fixation

3.2

point de fixation

partie du spécimen en contact avec le bâti de fixation au point où le spécimen est normalement fixé en utilisation

3.3

masse équivalente

masse de la pièce de frappe et d'éventuelles parties concernées de l'appareillage d'essai qui, combinée avec leurs vitesses, fournissent l'énergie d'impact

Note 1 à l'article: Pour l'application particulière au marteau pendulaire, masse du pendule simple calculée par la mesure de la force verticale (en newtons) à appliquer dans l'axe de la pièce de frappe pour maintenir le bras du pendule en position horizontale, divisée par l'accélération de la pesanteur. Lorsque la masse du bras est uniformément répartie, la masse équivalente est égale à la somme de la masse combinée de la pièce de frappe et de la moitié de la masse du bras.

3.4

point de mesure

point repéré sur la surface de la pièce de frappe là où la ligne passant par le point d'intersection des axes du bras du pendule et de la pièce de frappe, perpendiculaire au plan traversant les deux axes, entre en contact avec la surface (voir Figure 2).

Note 1 à l'article: Dans quelques normes de l'IEC incluant un essai au marteau pendulaire, le terme "point de contrôle" a été utilisé; il ne l'a pas été ici pour éviter toute confusion avec "point de vérification" utilisé dans certaines parties de l'IEC 60068-2.

Note 2 à l'article: Théoriquement, il est recommandé que le centre de gravité de la pièce de frappe soit le point de mesure. En pratique, le centre de gravité est soit difficile à déterminer soit inaccessible et le point de mesure a été défini comme ci-dessus.

3.5

hauteur de chute

distance verticale entre l'emplacement du point de mesure lors de la libération du pendule et sa position au moment de l'impact (voir Figure D.1).

4 Dispositions communes à toutes les méthodes d'essai aux marteaux

4.1 Sévérités

4.1.1 Généralités

La sévérité est définie par la valeur de l'énergie d'impact choisie en 4.1.2 et le nombre d'impacts prescrit en 4.1.3.

4.1.2 Valeurs de l'énergie d'impact

La valeur de l'énergie d'impact doit être l'une des suivantes, comme prescrit par la spécification particulière:

0,14 – 0,2 – (0,3) – 0,35 – (0,4) – 0,5 – 0,7 – 1 – 2 – 5 – 10 – 20 – 50 J (joules).

NOTE Les chiffres entre parenthèses sont indiqués dans les normes IEC 60068-2 antérieures, bien qu'ils ne soient plus recommandés, il est admis de les utiliser pour des raisons de cohérence avec la pratique antérieure.

4.1.3 Nombre d'impacts

Sauf stipulation contraire de la spécification particulière, le nombre total d'impacts doit être de trois par emplacement.

4.2 Appareillage d'essai

4.2.1 Description

Trois appareillages d'essai peuvent être utilisés pour effectuer ces essais:

- le marteau pendulaire;
- le marteau à ressort;
- le marteau vertical.

Les types d'appareillages d'essai sont définis dans les Articles 5, 6 et 7, respectivement comme essai Eha, essai Ehb et essai Ehc. Les caractéristiques coordonnées de la pièce de frappe sont en principe semblables dans les trois cas et sont données par le Tableau 1, en relation avec le croquis de la Figure 1.

Les dimensions sont en millimètres. Les tolérances sont celles de la classe m de l'ISO 2768-1, sauf indication contraire.

Tableau 1 – Caractéristiques coordonnées des pièces de frappe

Énergie J	≤1 ±10 %	2 ±5 %	5 ±5 %	10 ±5 %	20 ±5 %	50 ±5 %
Masse équivalente ±2 % kg	0,25 (0,2)	0,5	1,7	5	5	10
Matériau	Polyamide ^a	Acier ^b				
R mm	10	25	25	50	50	50
D mm	18,5 (20)	35	60	80	100	125
f mm	6,2(10)	7	10	20	20	25
r mm	-	-	6	-	10	17
l mm	À ajuster pour obtenir la masse équivalente (voir l'Annexe A).					
^a 85 ≤ HRR ≤ 100, Dureté Rockwell selon l'ISO 2039-2.						
^b Fe 490-2, selon l'ISO 1052; Dureté Rockwell: HRE 80...85 selon l'ISO 6508.						
NOTE Les valeurs mises entre parenthèses pour la masse équivalente et le diamètre des pièces de frappe pour les valeurs d'énergie inférieure ou égale à 1 J sont celles de l'essai Ef existant. Les valeurs existantes de l'essai Eg sont aussi données pour ces deux paramètres. Bien qu'elles ne soient plus recommandées pour des raisons de coordination, ces valeurs sont utilisées par certaines industries pour des besoins de comparaison avec la pratique antérieure.						

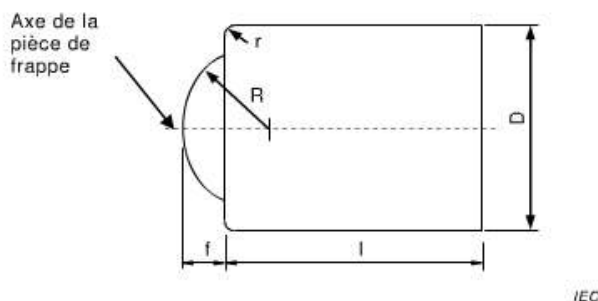


Figure 1 – Exemple de pièce de frappe

La surface de frappe doit être examinée visuellement avant chaque impact dans le but de s'assurer qu'elle n'a subi aucun dommage susceptible de fausser le résultat de l'essai.

4.2.2 Fixation

Selon la spécification particulière, le spécimen doit être

- a) soit fixé par ses moyens normaux sur un support plan rigide,
- b) soit posé sur un support plan rigide.

Pour garantir la rigidité du support du spécimen pour les essais, il peut être nécessaire de le placer sur un support plan robuste, par exemple un mur ou un sol en briques ou en béton, couvert d'une feuille de polyamide fermement appliquée sur le support.

On doit s'assurer qu'il n'y a pas d'espace entre la feuille et le support. La feuille doit avoir une dureté Rockwell $85 \leq HRR \leq 100$ selon l'ISO 2039-2, une épaisseur d'environ 8 mm et une surface telle qu'aucune partie du spécimen ne subisse de contrainte excessive à cause d'une surface de support de taille insuffisante.

Le support est considéré comme suffisamment rigide si le déplacement de la surface d'impact du support plan n'excède pas 0,1 mm lorsqu'il lui est appliqué directement un impact dont la sévérité est la même que celle appliquée au spécimen.

NOTE 1 Pour des spécimens soumis à des énergies d'impact ne dépassant pas 1 J, quelques exemples de montage et de fixation sont donnés aux Figures D.3, D.4 et D.5.

NOTE 2 Lorsque la masse de la fixation est d'au moins 20 fois celle du spécimen, on estime que sa rigidité est suffisante.

4.3 Préconditionnement

La spécification particulière peut stipuler un préconditionnement; elle doit alors en prescrire les conditions.

4.4 Mesures initiales

Le spécimen doit être soumis aux examens visuels, dimensionnels et fonctionnels prescrits par la spécification particulière.

4.5 Épreuve

4.5.1 Généralités

Les impacts secondaires, c'est-à-dire les rebonds, doivent être évités.

4.5.2 Positions du spécimen et points d'impact

La spécification particulière doit stipuler les positions et les emplacements du spécimen les plus susceptibles d'être endommagés en pratique, et auxquels les impacts doivent être appliqués. Sauf indication contraire de la spécification particulière, les impacts doivent être appliqués perpendiculairement à la surface frappée.

4.5.3 Préparation du spécimen

La spécification particulière doit indiquer toutes les conditions requises pour la fixation des socles, couvercles et pièces similaires avant que le spécimen ne soit soumis aux impacts.

NOTE Il peut être nécessaire de tenir compte des exigences de contrôle fonctionnel (voir 4.5.4 b)).

4.5.4 Mode opératoire et contrôle fonctionnel

La spécification particulière doit préciser:

- a) si le spécimen doit être en fonctionnement au moment de l'impact;
- b) si un contrôle fonctionnel est requis.

Dans les deux cas, la spécification particulière doit fournir les critères d'acceptation ou de refus du spécimen.

NOTE On attire l'attention sur le fait qu'en cas de bris du spécimen, les parties internes peuvent devenir dangereuses.

4.6 Reprise

La spécification particulière peut prescrire une reprise; elle doit alors en préciser les conditions.

4.7 Mesures finales

Le spécimen doit être soumis aux examens visuels, dimensionnels et fonctionnels prescrits par la spécification particulière.

La spécification particulière doit prescrire les critères d'acceptation ou de refus du spécimen.

4.8 Renseignements que la spécification particulière doit donner

Lorsqu'un des essais de la présente partie de l'IEC60068 est inclus dans une spécification particulière, les détails suivants doivent être donnés pour autant qu'ils soient applicables, en accordant une attention particulière aux points marqués d'un astérisque (*), pour lesquels des renseignements doivent être donnés dans tous les cas.

	Paragraphe
a) Energie d'impact *	4.1.2
b) Nombre d'impacts, si différent de trois par emplacement	4.1.3
c) Type(s) d'appareillage d'essai à utiliser	4.2.1
d) Méthode de fixation *	4.4.2
e) Préconditionnement	4.3
f) Mesures initiales*	4.4
g) Position et points d'impact *	4.5.2
h) Fixation des socles, couvercles et pièces similaires	4.5.3
i) Mode opératoire et contrôle fonctionnel*	4.5.4
j) Critères d'acceptation et de refus *	4.5.4 et 4.7

- | | |
|--------------------------|-----|
| k) Conditions de reprise | 4.6 |
| l) Mesures finales* | 4.7 |

5 Essai Eha: Marteau pendulaire

5.1 Appareillage d'essai

5.1.1 Généralités

L'appareillage d'essai est essentiellement constitué d'un pendule pivotant à son extrémité supérieure, de façon à ne se mouvoir que dans un plan vertical. L'axe du pivot est à 1 000 mm au-dessus du point de mesure. Le pendule se compose d'un bras rigide et d'une pièce de frappe conforme aux exigences du Tableau 1.

Pour l'essai de spécimens lourds, volumineux ou difficiles à manier, un pendule portable peut être utilisé. Il doit être conforme à la description ci-dessus, mais son pivot peut être fixé directement sur le spécimen ou sur une charpente mobile. Dans ce cas, il faut vérifier, avant les essais, que l'axe du pendule est horizontal, que sa fixation est suffisamment rigide, en principe, et que le point d'impact est dans le plan vertical passant par l'axe du pivot.

Dans tous les cas, lorsque le pendule est libéré, il doit pouvoir tomber sous la seule influence de la force de gravité.

5.1.2 Appareillage d'essai pour les sévérités ne dépassant pas 1 J

La pièce de frappe est constituée d'un corps en acier comportant une face hémisphérique en polyamide. Sa masse combinée est de 200 g (150 g) \pm 1 g de sorte que la masse équivalente soit conforme au Tableau 1. L'Annexe D donne un exemple d'appareillage d'essai.

5.1.3 Appareillage d'essai pour les sévérités de 2 J et plus

Le rapport de la masse du bras sur la masse combinée de la pièce de frappe ne doit pas être supérieur à 0,2, et le centre de gravité de la pièce de frappe doit être autant que possible dans l'axe du bras.

Pour quelques applications particulières, le bras du pendule est remplacé par un fil et la pièce de frappe par une boule sphérique en acier. Cela est déconseillé, car la boule n'est pas conforme à la géométrie de la pièce de frappe spécifiée par la présente partie de l'IEC 60068.

5.2 Hauteur de chute

Pour produire des impacts de la sévérité requise, la pièce de frappe doit être lâchée d'une hauteur dépendant de la masse équivalente du pendule, selon le Tableau 2.

Tableau 2 – Hauteur de chute

Énergie J	0,14	0,2		(0,3)	0,35	(0,4)		0,5	0,7	1	2	5	10	20	50
Masse équivalente kg	0,25	(0,2)	0,25	(0,2)	0,25	(0,2)	(0,2)	0,25	0,25	0,25	0,5	1,7	5	5	10
Hauteur de chute mm \pm 1 %	56	(100)	80	(150)	140	(200)	(250)	200	280	400	400	300	200	400	500

NOTE 1 Les chiffres entre parenthèses sont indiqués dans les normes IEC 60068-2 antérieures; bien qu'ils ne soient plus recommandés, il est admis de les utiliser pour des raisons de cohérence avec la pratique antérieure.

NOTE 2 Dans la présente partie de l'IEC 60068, l'énergie, J, est calculée, en prenant pour l'accélération normale due à la gravité terrestre (g_n), à la valeur arrondie immédiatement supérieure, c'est-à-dire, 10 m/s².

5.3 Essais

Afin d'éviter les impacts secondaires, c'est-à-dire les rebonds, le marteau doit être retenu après l'impact initial, en saisissant la pièce de frappe et non le bras pour éviter de le déformer.

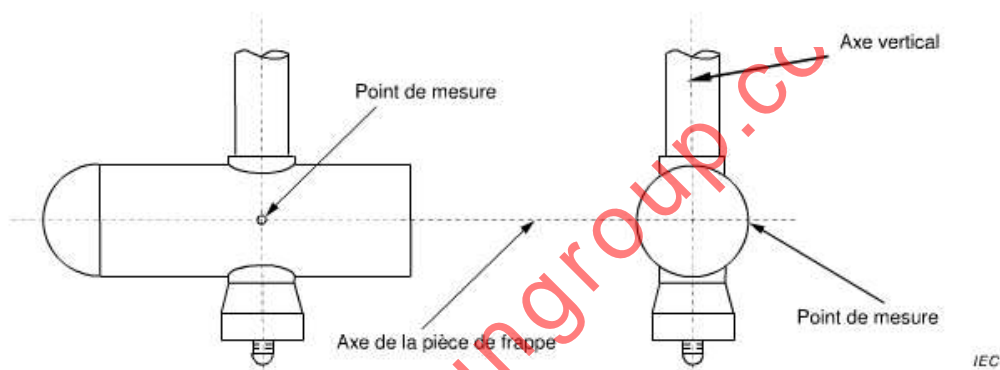


Figure 2 – Détermination du point de mesure

6 Essai Ehb: Marteau à ressort

6.1 Appareillage d'essai

Le marteau à ressort est constitué de trois parties principales: le corps, la pièce de frappe et le système de détente.

Le corps comprend l'enveloppe, le guide de la pièce de frappe, le mécanisme de détente et toutes les parties fermement fixées.

La pièce de frappe comprend la tête du marteau, la tige et le bouton d'armement. La masse de cet ensemble est de 250 g (200 g) pour les sévérités n'excédant pas 1 J, et de 500 g pour 2 J (voir le Tableau 1 pour les tolérances).

La force requise pour libérer la pièce de frappe ne doit pas excéder 10 N.

Les positions relatives de la tige, de la tête du marteau et du dispositif de réglage du ressort de la pièce de frappe sont telles que le ressort de la pièce de frappe a libéré toute son énergie potentielle 1 mm environ avant que l'extrémité de la tête du marteau atteigne le plan d'impact. Pour le dernier millimètre de son parcours avant l'impact, la pièce de frappe est ainsi, en négligeant le frottement, un projectile se déplaçant librement, ayant toute son énergie sous

forme cinétique et n'ayant plus d'énergie potentielle. De plus, après que l'extrémité de la tête du marteau a traversé le plan d'impact, la pièce de frappe peut continuer sa course librement, sans intervention, sur une distance supplémentaire comprise entre 8 mm et 12 mm. L'Annexe E donne un exemple de réalisation.

Pour se conformer au Tableau 1, la forme de la tête de détente pour 2 J doit être cylindrique sur une longueur de 23 mm avec un diamètre de 35 mm (voir la Figure 3).

Dimensions en millimètres

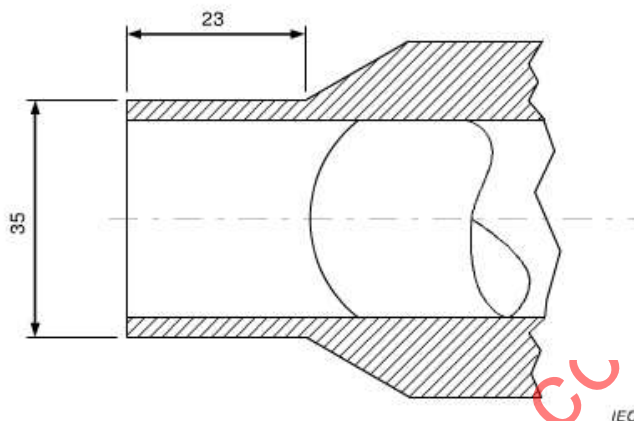


Figure 3 – Forme de la tête de déclenchement pour 2 J

6.2 Influence de la gravité terrestre

Lorsque le marteau à ressort est utilisé dans une position autre qu'horizontale, l'énergie réellement appliquée est modifiée de ΔE . Cette variation est positive si les coups sont appliqués vers le bas, et négative lorsqu'ils sont appliqués vers le haut:

$$\Delta E = 10 \times m \times d \times \sin \alpha$$

où

m est la masse de la pièce de frappe, en kilogrammes;

d est la course de la pièce de frappe à l'intérieur du marteau, en mètres;

α est l'angle de l'axe de la pièce de frappe avec l'horizontale.

Cette variation doit être prise en compte pour établir le niveau d'énergie réellement appliqué.

6.3 Étalonnage

Le marteau à ressort doit être étalonné. L'Annexe B donne une procédure normalisée préférentielle (voir l'Article B.2, en particulier pour 2 J). Il est permis d'utiliser d'autres méthodes, pourvu qu'il soit prouvé qu'elles donnent un degré de précision équivalent.

7 Essai Ehc: Marteau vertical

7.1 Appareillage d'essai

Le marteau comprend essentiellement une pièce de frappe soumise à une chute libre de sa position de repos sur la surface du spécimen tenue dans un plan horizontal, d'une hauteur choisie dans le Tableau 2. Les caractéristiques de la pièce de frappe doivent être conformes au Tableau 1. La chute de la pièce de frappe doit être guidée, par exemple, trois ou quatre rails, sans freinage appréciable. Le guide ne doit pas reposer sur le spécimen et la pièce de

frappe ne doit pas obstruer le guide lors de l'impact. En vue de réduire les frottements, la longueur l de la pièce de frappe ne doit pas être inférieure à son diamètre D , et un petit espace (par exemple 1 mm) doit être ménagé entre la pièce de frappe et le guide.

7.2 Hauteur de chute

La hauteur de chute doit être conforme au Tableau 2, la masse équivalente étant ici égale à la masse réelle de la pièce de frappe.

www.Lisungroup.cc

Annexe A
(normative)

Formes des pièces de frappe

Les figures de la présente annexe indiquent la forme et les caractéristiques des pièces de frappe applicables à chacune des six valeurs d'énergie définies dans le Tableau 1. Pour les besoins de ces figures, les longueurs de la pièce de frappe sont calculées pour des marteaux verticaux ou pour des marteaux pendulaires dont les bras ont une masse négligeable. Lorsque la masse du bras ne peut pas être négligée, il convient de réduire les longueurs de la pièce de frappe de telle sorte que la masse équivalente satisfasse aux exigences du Tableau 1 (voir le 3.2).

La Figure A.1 représente la pièce de frappe applicable aux valeurs d'énergie inférieures ou égales à 1 J. Dans ce cas, il convient que la face soumise à l'impact soit en polyamide d'une dureté spécifiée dans le Tableau 1.

Les Figures A.2, A.3 et A.4 représentent les pièces de frappe applicables aux valeurs d'énergie de 2 J, 5 J et 10 J, respectivement. Dans ces cas, il convient que la face soumise à l'impact soit en acier doté de propriétés, incluant la dureté, spécifiées dans le Tableau 1.

Les Figures A.5 et A.6 représentent les pièces de frappe applicables aux valeurs d'énergie de 20 J et de 50 J, respectivement. Dans ces cas, il convient que la face soumise à l'impact soit en acier doté de propriétés, incluant la dureté, spécifiées dans le Tableau 1. Dans ces cas, pour être conforme aux autres paramètres du Tableau 1, il est nécessaire d'évider l'extrémité opposée à la face de frappe.

Toute arête doit être ébarbée.

Les tolérances sont celles de la classe m de l'ISO 2768-1, sauf indication contraire.

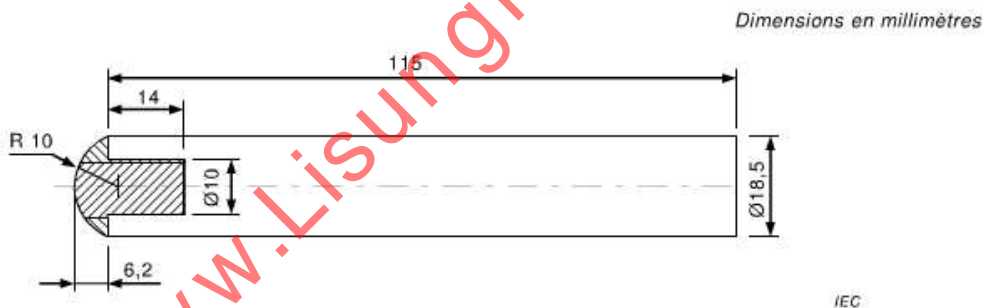


Figure A.1 – Exemple de pièce de frappe pour ≤ 1 J

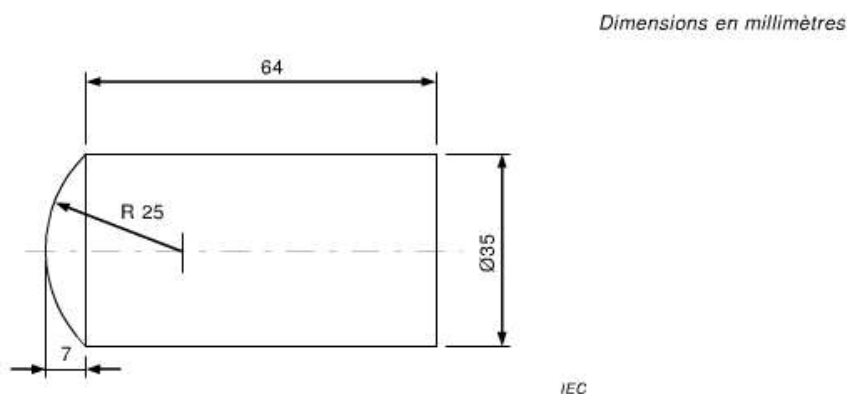


Figure A.2 – Exemple de pièce de frappe pour une valeur 2 J

Dimensions en millimètres

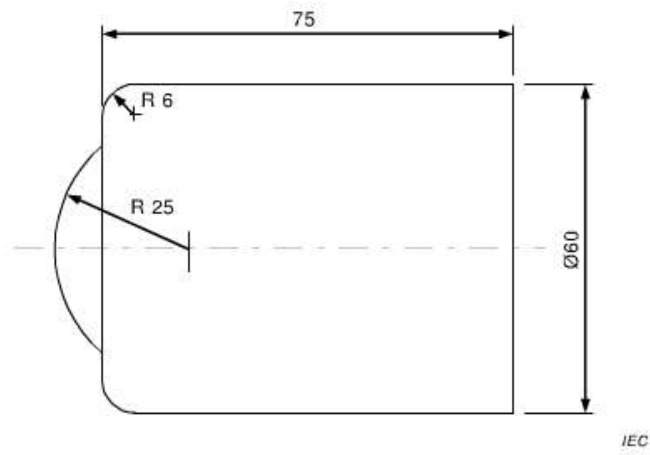


Figure A.3 – Exemple de pièce de frappe pour une valeur 5 J

Dimensions en millimètres

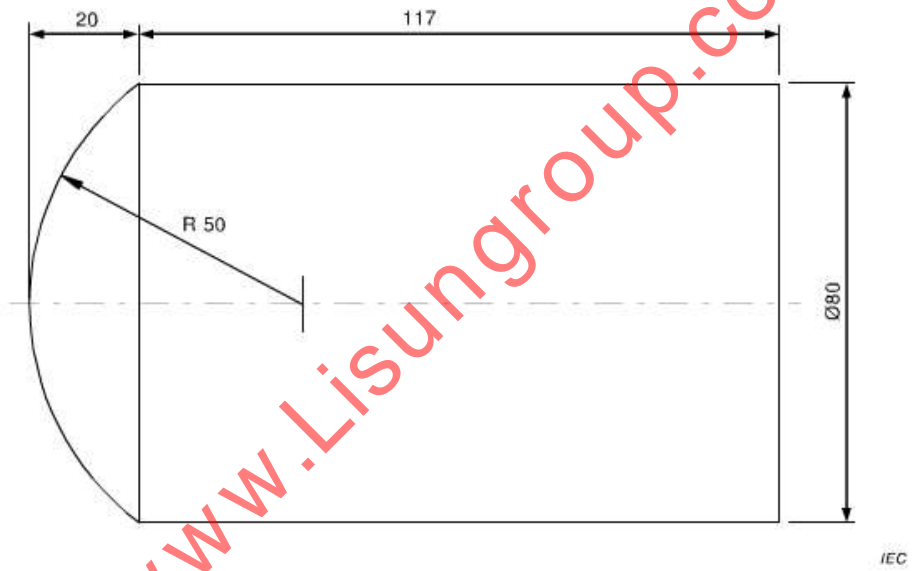


Figure A.4 – Exemple de pièce de frappe pour une valeur 10 J

Dimensions en millimètres

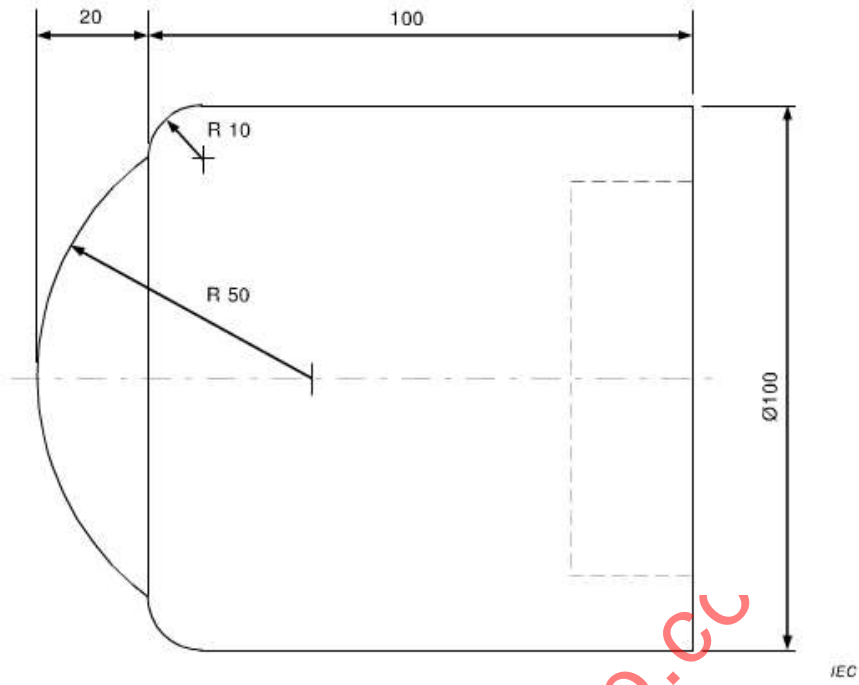


Figure A.5 – Exemple de pièce de frappe pour une valeur 20 J

Dimensions en millimètres

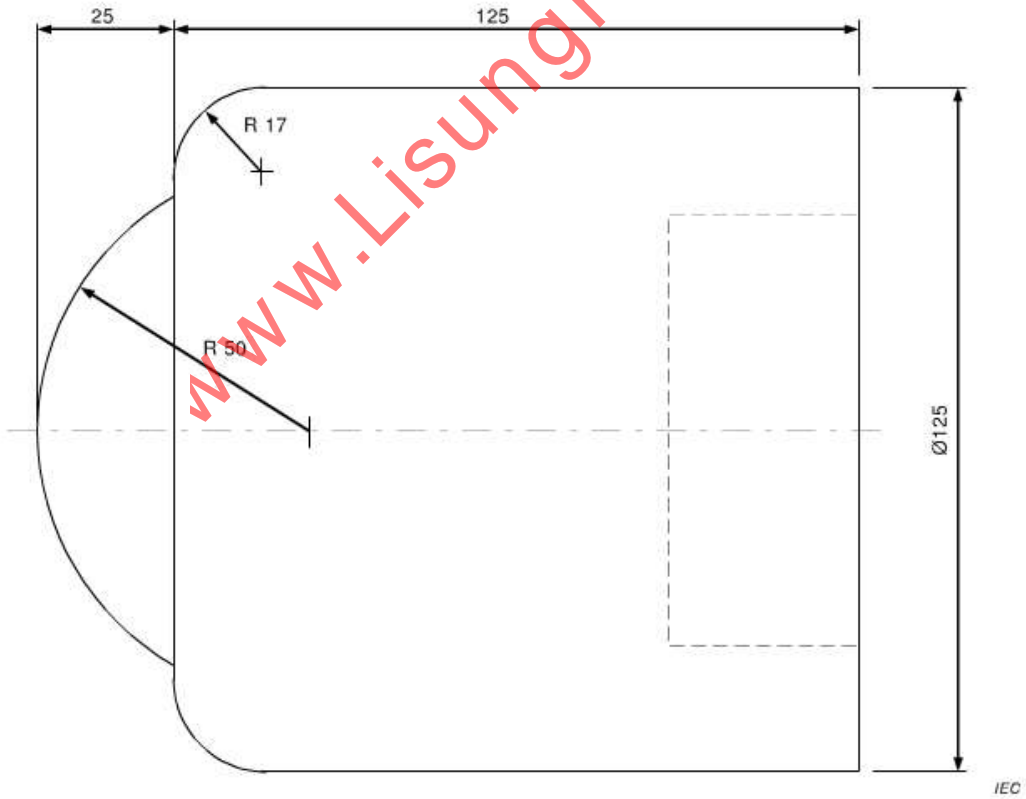


Figure A.6 – Exemple de pièce de frappe pour une valeur 50 J

Annexe B (normative)

Procédure pour étalonner les marteaux à ressort

B.1 Principe d'étalonnage

Le principe de la présente procédure d'étalonnage est de comparer l'énergie engendrée par le marteau à ressort, qui est difficile à mesurer directement, à l'énergie d'un pendule, calculée à partir de sa masse et de sa hauteur de chute.

B.2 Construction du dispositif d'étalonnage

L'ensemble du dispositif d'étalonnage est représenté à la Figure B.1. En plus du châssis, les parties principales sont les coussinets "a", l'aiguille indicatrice amortie "b", un pendule "c", le pied de détente "d" et le dispositif de déclenchement "e".

La partie principale du dispositif d'étalonnage est le pendule "c" représenté à la Figure B.2. Sa partie inférieure comporte un ressort en acier dont les détails sont représentés à la Figure B.3. Le ressort, fixé rigidement au pendule "c", est en acier à ressort qui ne nécessite pas de traitement spécial.

La Figure B.4 montre certaines parties à plus grande échelle.

Il convient de remarquer que le ressort est conçu pour l'étalonnage des marteaux à ressort dont les caractéristiques sont celles données par le Tableau 1 pour les énergies ne dépassant pas 1 J. Il faudrait un ressort de conception différente pour l'étalonnage des marteaux à ressort dont les caractéristiques correspondent à 2 J.

Afin d'obtenir des caractéristiques de frottement appropriées de l'aiguille indicatrice, un morceau de drap épais est placé entre les surfaces métalliques des coussinets, les cordes à piano étant courbées de façon qu'une faible force soit exercée sur le drap.

Étant donné que le dispositif de déclenchement est enlevé pendant l'étalonnage du dispositif d'étalonnage, le dispositif de déclenchement est fixé au pied de détente, au moyen de vis.

B.3 Méthode d'étalonnage du dispositif d'étalonnage

L'étalonnage du dispositif d'étalonnage est effectué au moyen d'une pièce de frappe d'étalonnage "g", prélevée dans un marteau à ressort, comme indiqué à la Figure B.5. Avant l'étalonnage, le dispositif de déclenchement est enlevé du dispositif d'étalonnage.

La pièce de frappe d'étalonnage est suspendue au moyen de quatre fils de lin "h" à des points de suspension situés dans un plan horizontal à 2 000 mm au-dessus du point de contact entre le pendule et la pièce de frappe d'étalonnage, lorsque celle-ci est en position de repos. On laisse la pièce de frappe d'étalonnage frapper le pendule et le point de contact dans les conditions dynamiques, le point "k" ne doit pas être à plus de 1 mm au-dessous du point de contact en position de repos. Les points de suspension sont alors surélevés sur une distance égale à la différence entre les deux points de contact.

Lorsque le système de suspension est réglé, l'axe de la pièce d'étalonnage "g" doit être perpendiculaire à la surface d'impact du pendule "c" et la pièce de frappe d'étalonnage doit être horizontale au moment de l'impact.

Lorsque la pièce de frappe d'étalonnage est dans sa position de repos, le dispositif d'étalonnage est placé de façon que le point «k» se trouve exactement sur la tête de la pièce d'étalonnage.

Pour obtenir des résultats fiables, le dispositif d'étalonnage est fixé de façon rigide à un support, par exemple à un élément de construction d'un bâtiment.

La hauteur de chute est mesurée au centre de gravité de la pièce d'étalonnage et la mesure peut être facilitée par l'usage d'un dispositif à niveau de liquide constitué de deux tubes de verre «j», qui sont reliés entre eux par un tube souple. L'un des tubes de verre est fixe et pourvu d'une échelle «l».

La pièce de frappe d'étalonnage peut être maintenue dans sa position supérieure au moyen d'un fil fin "m", dont la rupture libère la pièce d'étalonnage.

Pour graduer le dispositif d'étalonnage, on trace sur le cadran un cercle dont le centre coïncide avec le pivot du pendule, son rayon étant tel que le cercle atteigne l'extrémité de l'aiguille indicatrice amortie. Sur ce cercle, on marque le point 0 J représenté à la Figure B.6, à l'emplacement indiqué par l'aiguille indicatrice amortie lorsque celle-ci est amenée en contact avec le pendule, en position de repos.

L'étalonnage est effectué avec une énergie d'impact de 1 J, qui est obtenue avec une hauteur de chute de $408 \text{ mm} \pm 1 \text{ mm}$ d'une pièce de frappe d'étalonnage de 250 g.

Le point du cadran correspondant à 1 J est obtenu en laissant tomber la pièce de frappe d'étalonnage suspendue contre le point "k" sur le pendule. Après avoir frappé le pendule, la pièce de frappe d'étalonnage ne doit plus bouger. L'opération est répétée 10 fois au moins et le point 1 J est la moyenne des indications de l'aiguille indicatrice amortie.

Les autres points de l'échelle sont alors déterminés comme suit:

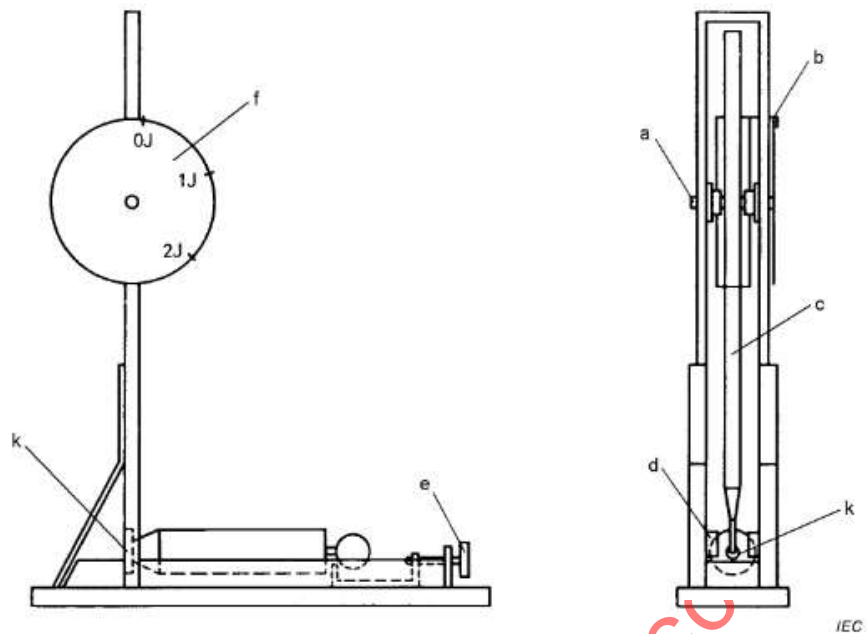
- a) on trace une ligne droite passant par le centre du cercle et le point 0 J;
- b) la projection orthogonale du point 1 J sur cette droite est indiquée par P;
- c) on divise l'intervalle entre les points 0 J et P en 10 parties égales;
- d) par chaque point correspondant à une division, on trace une perpendiculaire à la ligne 0 J-P;
- e) les intersections de ces perpendiculaires avec le cercle correspondent à des valeurs d'énergie égales à 0,1 J; 0,2 J; jusqu'à 0,9 J.

L'échelle peut être prolongée au-delà du point 1 J suivant le même principe. La division du cadran "f" est représentée à la Figure B.6.

B.4 Utilisation du dispositif d'étalonnage

Le marteau à ressort à étalonner est placé dans le pied de détente, puis actionné trois fois au moyen du dispositif de déclenchement; il ne doit pas être libéré à la main.

Pour chaque manœuvre, on fait tourner la pièce de frappe du spécimen dans une position différente. La valeur moyenne des trois lectures sur le dispositif d'étalonnage est prise comme la valeur de l'énergie réelle d'impact du spécimen.



Légende

- a coussinets
- b aiguille indicatrice amortie
- c pendule
- d pied de détente
- e dispositif de déclenchement
- f cadran de l'échelle
- k point où trois chocs sont appliqués, par exemple point d'impact

Figure B.1 – Dispositif d'étalonnage

www.Lisungroup.com

Dimensions en millimètres

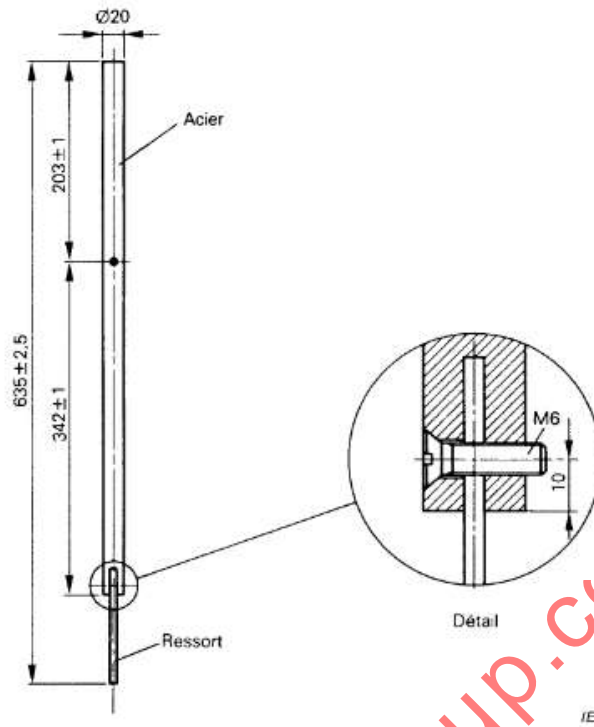


Figure B.2 – Pendule «c»

Dimensions en millimètres

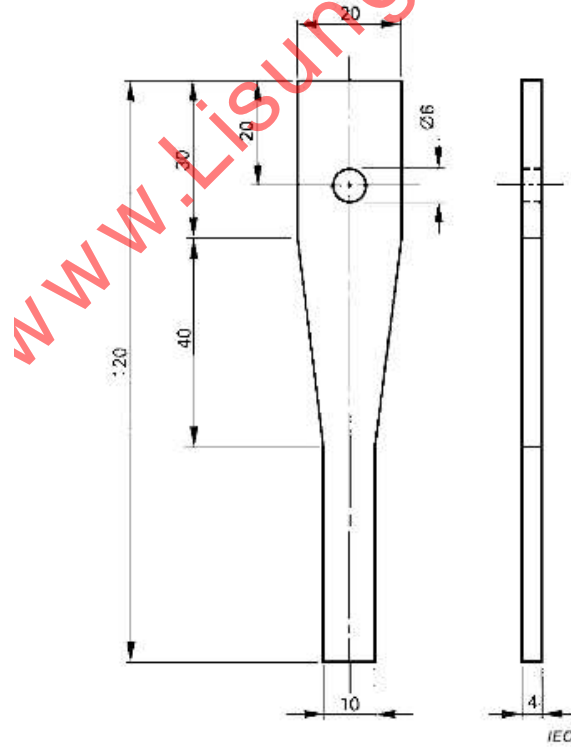


Figure B.3 – Ressort en acier du pendule "c"

Dimensions en millimètres

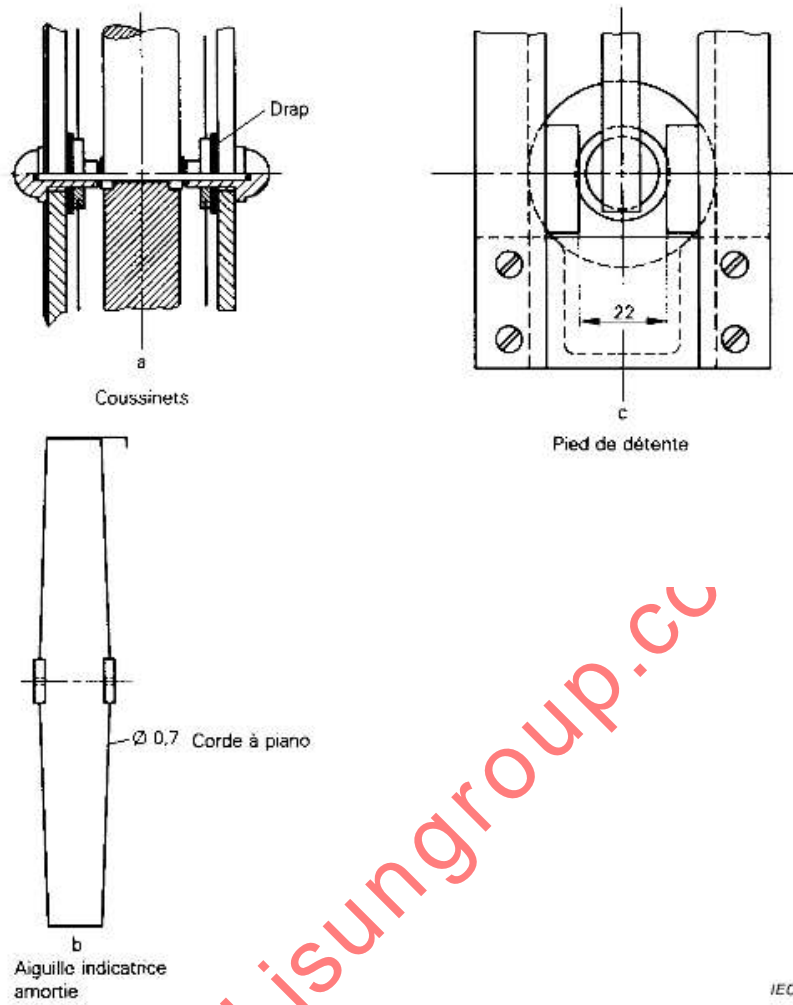
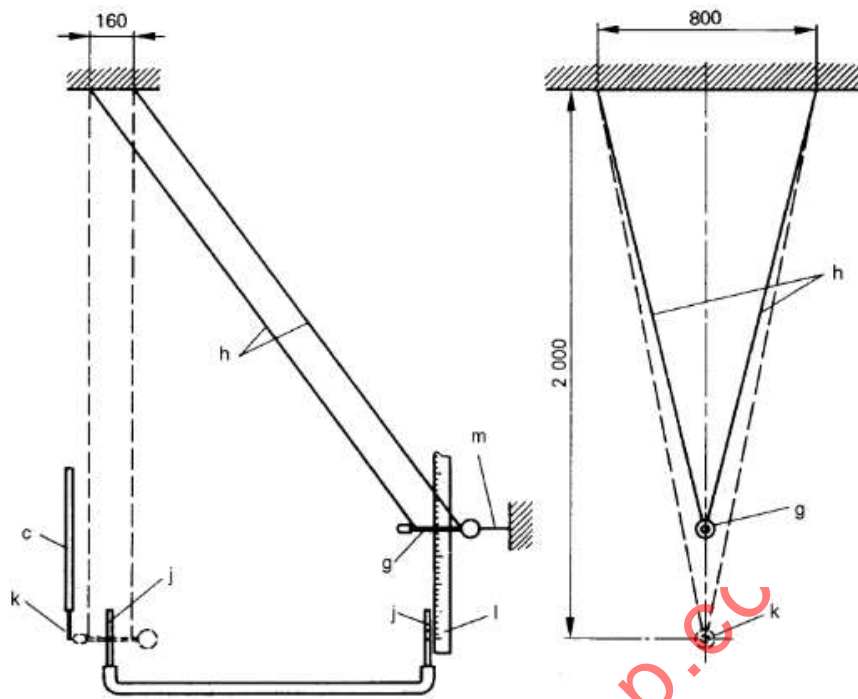


Figure B.4 - Détails du dispositif d'étalonnage

IEC

Dimensions en millimètres



IEC

Légende

- c pendule de la Figure B.1
- g pièce de frappe d'étalonnage
- h fils de lin
- j tubes de verre
- k point d'impact
- l échelle
- M fil fin

NOTE Pour que la figure soit claire, seul le pendule "c" du dispositif d'étalonnage est représenté sur cette figure.

Figure B.5 – Dispositif prévu pour l'étalonnage du dispositif d'étalonnage

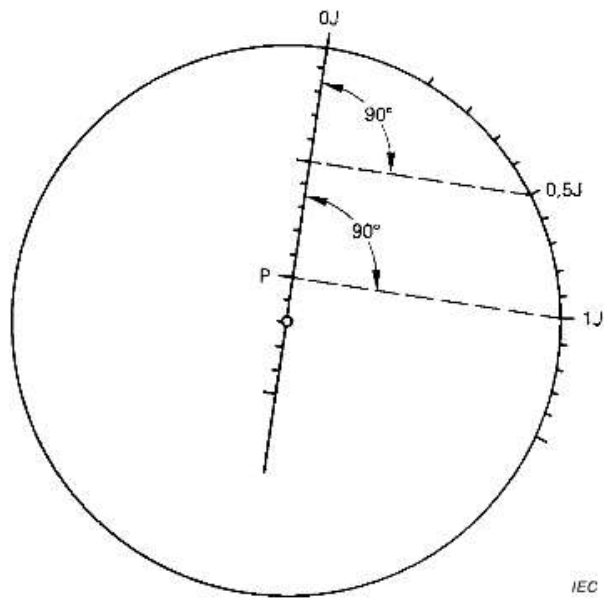


Figure B.6 – Division du cadran "f"

IEC

www.Lisungroup.com

Annexe C (informative)

Lignes directrices

C.1 Quand un essai de choc est-il conseillé?

Un essai de choc convient aux matériels susceptibles d'être utilisés en des endroits dont l'accès est libre et où des chocs peuvent se produire. Il peut aussi convenir aux matériels destinés à des endroits d'accessibilité restreinte, mais avec une moins grande sévérité.

Il convient en particulier aux matériels de nature fragile.

C.2 Choix de l'appareillage d'essai

La présente partie de l'IEC 60068 fournit trois méthodes d'essai qui ont pour but de donner autant que possible des résultats similaires. Cependant, la répétitivité du présent essai dépend des détails de l'appareillage d'essai, beaucoup plus que d'habitude dans les normes.

Le choix de l'appareillage d'essai dépend de l'orientation de la surface à essayer et du niveau d'énergie. Toutes les méthodes ne peuvent pas être utilisées dans tous les cas. Il est évident que le marteau pendulaire ne peut être appliqué qu'à des surfaces verticales sans surplomb. De même, le marteau à chute libre ne peut normalement servir que pour des surfaces horizontales accessibles. Lorsque, pour une raison quelconque, le spécimen ne peut pas être déplacé ni tourné, le choix est limité. L'avantage du marteau à ressort est qu'il peut être utilisé dans n'importe quelle position, pourvu qu'il y ait assez de place pour le manœuvrer correctement et que l'énergie d'impact spécifiée n'exécède pas 2 J. Pour des niveaux d'énergie plus élevés, le marteau à ressort serait trop difficile à manipuler, et pourrait même être dangereux pour l'opérateur.

C.3 Choix du niveau d'énergie

L'énergie d'un impact dépend de la masse de l'objet frappant et de sa vitesse, qui peut être produite par sa chute. Le Tableau C.1 donne des niveaux d'énergie théoriques proches des valeurs utilisées dans la présente partie de l'IEC 60068.

Tableau C.1 – Niveaux d'énergie en joules

Hauteur de chute m	Vitesse m/s	Masse de l'objet frappant kg					
		0,1	0,2	0,5	1	2	5
0,1	1,4	0,1	0,2	0,5	1	2	5
0,2	2	0,2	0,4	1	2	4	10
0,5	3,1	0,5	1	2,5	5	10	25
1	4,4	1	2	5	10	20	50

Les valeurs du Tableau C.1 correspondent à des coups perpendiculaires à la surface du spécimen.

Des énergies beaucoup plus importantes peuvent être rencontrées dans des situations particulières telles que le vandalisme ou un accident de voiture. Dans ces cas-là, il convient d'envisager l'utilisation d'une protection supplémentaire telle que des barrières ou des murs.

C.4 Informations relatives aux essais

La température du spécimen peut influencer sur les résultats du présent essai, et il convient que la spécification particulière en tienne compte, le cas échéant.

Les essais de choc peuvent être spécifiés en séquence avec d'autres essais, mais il faut noter que certains essais normalisés doivent être effectués sur des spécimens neufs, ce qui exclut des essais antérieurs au marteau.

Il convient que les principaux critères de performance dérivent de la façon dont les impacts mécaniques influencent les caractéristiques de fonctionnement et de survie du spécimen.

Une autre considération importante est la sécurité, qui peut même être prioritaire dans certains cas.

www.Lisungroup.cc

Annexe D (informative)

Exemple d'appareil d'essai de marteau pendulaire

La Figure D.1 donne un exemple d'appareil d'essai de marteau pendulaire pour des énergies ne dépassant pas 1 J. La pièce de frappe est conforme au 5.2.2 et à la Figure D.2. Le bras est un tube d'acier dont le diamètre extérieur est de 9 mm (nominal) et l'épaisseur de 0,5 mm (nominale).

Les spécimens sont fixés sur un panneau de contreplaqué de 8 mm d'épaisseur et de 175 mm de côté, de préférence conformes à l'ISO 1098, attaché à ses arêtes supérieure et inférieure à un cadre rigide faisant partie du bâti de fixation, comme indiqué, par exemple, à la Figure D.3. Le bâti de fixation a une masse de $10 \text{ kg} \pm 1 \text{ kg}$ et il est monté sur un châssis rigide au moyen de pivots. Le châssis est lui-même fixé à une paroi massive.

La fixation est conçue de telle sorte que

- le spécimen puisse être placé de telle façon que le point d'impact se trouve dans le plan vertical de l'axe du pivot du pendule,
- le spécimen puisse être déplacé horizontalement et puisse tourner autour d'un axe perpendiculaire à la surface du contreplaqué,
- le contreplaqué puisse tourner autour d'un axe vertical.

Les spécimens sont fixés sur le contreplaqué comme en usage normal. Lorsqu'il n'est pas possible de fixer directement le spécimen sur le contreplaqué, il convient de prescrire un adaptateur approprié par le biais de la spécification applicable. Un exemple d'adaptateur pour interrupteurs pour pose encastrée est donné à la Figure D.4, et un exemple pour douilles est donné à la Figure D.5.

Dimensions en millimètres

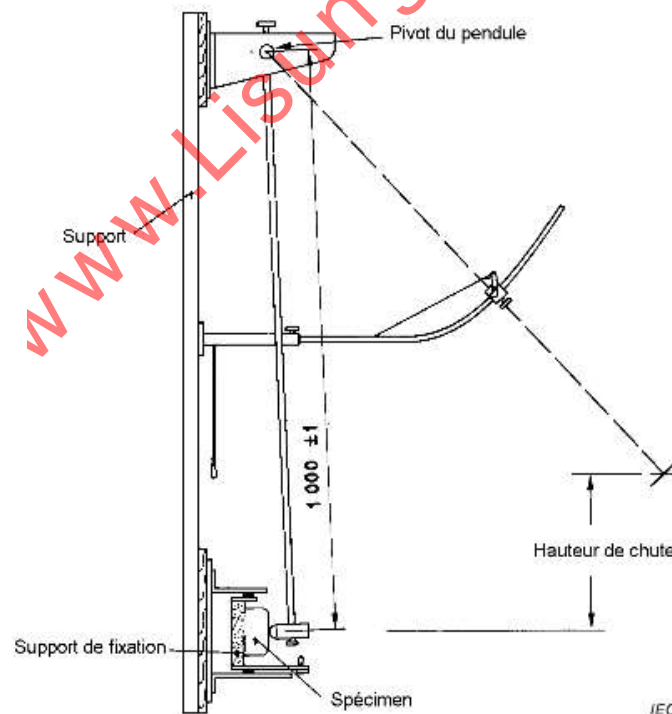
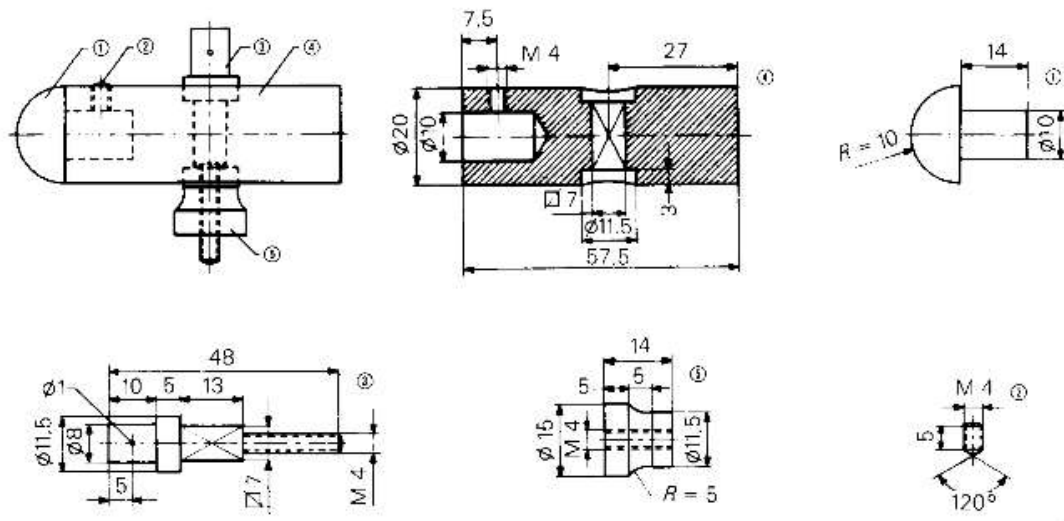


Figure D.1 – Appareillage d'essai

Dimensions en millimètres

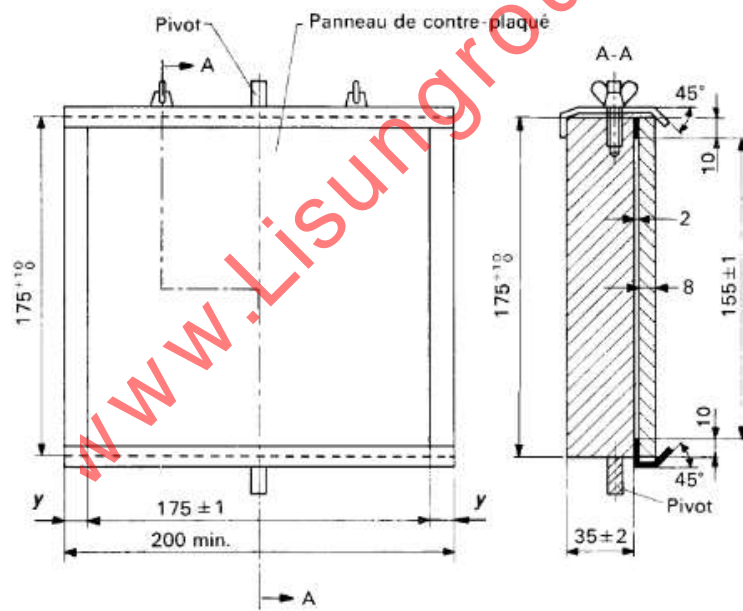


IEC

NOTE Voir le Tableau 1.

Figure D.2 – Pièce de frappe du marteau pendulaire pour énergies ≤ 1 J

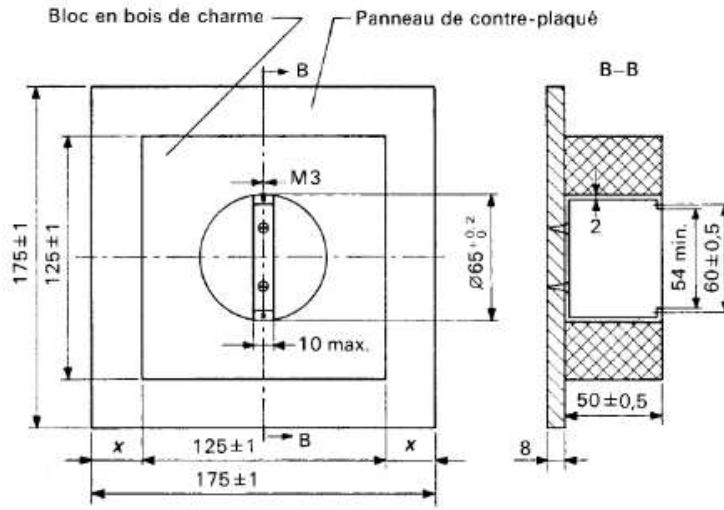
Dimensions en millimètres



IEC

Figure D.3 – Bâti de fixation

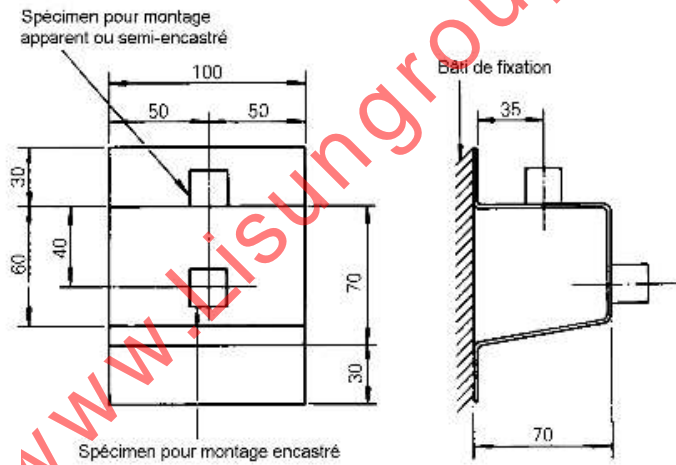
Dimensions en millimètres



IEC

Figure D.4 – Adaptateur pour interrupteurs pour pose encastrée

Dimensions en millimètres



IEC

Figure D.5 – Adaptateur pour douilles

Annexe E (informative)

Exemple d'appareil d'essai de marteau à ressort

La Figure E.1 donne un exemple d'appareil d'essai de marteau à ressort conforme à l'Article 5, pour des énergies n'excédant pas 1 J. La masse du corps assemblé est de $1\,250\text{ g} \pm 10\text{ g}$. La tête du marteau est fixée à la tige du marteau de sorte que la distance entre son extrémité et le plan de frappe (la face frontale du cône), lorsque la pièce de frappe est sur le point d'être déclenchée, ait une valeur proche de celle indiquée pour la compression du ressort par le Tableau E.1.

Tableau E.1 – Énergie cinétique de la pièce de frappe

Énergie cinétique (E) juste avant l'impact J	Valeur approximative de la compression du ressort avec une constante de $2,75 \times 10^3\text{ N/m}$ mm
$0,14 \pm 0,014$	10
$0,20 \pm 0,02$	13
$0,35 \pm 0,03$	17
$0,50 \pm 0,04$	20
$0,70 \pm 0,05$	24
$1,00 \pm 0,05$	28

NOTE La valeur approximative de l'énergie cinétique, exprimée en joules, juste avant l'impact, peut être calculée au moyen de la formule suivante:

$$E = 0,5 FC \times 10^{-3}$$

où

F est la force exercée par le ressort de la pièce de frappe en position de compression maximale, en newtons;

C est la compression du ressort de la pièce de frappe, en millimètres.

L'énergie indiquée ci-dessus est valable en position horizontale.

Le cône a une masse d'environ 60 g et le ressort du cône est tel qu'il exerce une force sensiblement égale à 5 N lorsque les mâchoires d'accrochage sont sur le point de libérer la pièce de frappe. Les ressorts du mécanisme d'accrochage sont réglés de façon à exercer une pression juste suffisante pour maintenir les mâchoires d'accrochage dans la position d'enclenchement.

L'appareil est armé en tirant le bouton d'armement jusqu'à ce que les mâchoires d'accrochage soient en prise avec l'encoche de la tige de la pièce de frappe. Le cône de détente de l'appareil d'essai est appliqué au(x) point(s) prescrit(s) du spécimen, suivant une direction perpendiculaire à sa surface. La pression est augmentée lentement de façon que le cône s'éloigne du corps de l'appareil jusqu'à ce qu'il soit en contact avec les tiges de détente qui en se déplaçant font alors fonctionner le mécanisme d'accrochage et permettent à la pièce de frappe de heurter le spécimen.

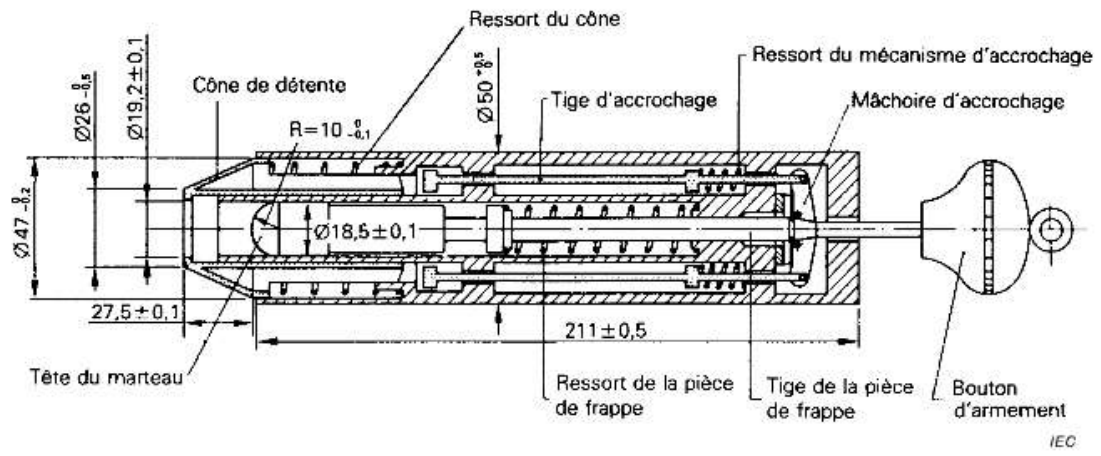


Figure E.1 – Appareil d'essai de marteau à ressort

www.Lisungroup.cc

Bibliographie

ISO 1098, *Contreplaqué à plis d'usage général – Conditions générales*
(retirée)

www.Lisungroup.cc

www.Lisungroup.cc

www.Lisungroup.cc

INTERNATIONAL
ELECTROTECHNICAL
COMMISSION

3, rue de Varembe
PO Box 131
CH-1211 Geneva 20
Switzerland

Tel: + 41 22 919 02 11
Fax: + 41 22 919 03 00
info@iec.ch
www.iec.ch

www.Lisungroup.cc