



UL Water Spray Test Device

(JL-UL)

Brochure

Global Office of Lisun Electronics Inc.

<http://www.Lisungroup.com>

Lisun Group (Hong Kong) Limited

Add: Room 803, Chevalier House, 45-51 Chatham Road South, Tsim Sha Tsui, KL, HK

Tel: 00852-68852050 Fax: 00852-30785638

Email: SalesHK@Lisungroup.com

Lisun Electronics (Shanghai) Co., Ltd

Add: 113-114, No. 1 Building, Nanxiang Zhidi Industry Park, No. 1101, Huyi Road, Jiading District, Shanghai, 201802, China

Tel: +86(21)5108 3341 Fax: +86(21)5108 3342

Email: SalesSH@Lisungroup.com

Lisun Electronics Inc. (USA)

Add: 445 S. Figueroa Street, Los Angeles, CA 90071, U.S.A.

Email: Sales@Lisungroup.com

Lisun China Factory

Add: NO. 37, Xiangyuan Road, Hangzhou City, Zhejiang Province, China

Tel: +86-189-1799-6096

Email: Engineering@Lisungroup.com

Leader in Lighting & Electrical Test Instruments

Rev. 2019.12.16



1、 Introduction:

The main function of the equipment is to test the physical and other related properties of electronic and electrical products, lamps, cabinets, electrical components and other products under simulated rainy weather conditions. After testing, the performance of the product can be judged by verification, so as to facilitate the design, improvement, verification and factory inspection of the product.

UL Water Spray Test Device is manufactured according to UL60507-ENGL 1999 standard figure 38.1, figure 38.2, ANSI Z21.10.3-2004, Figure 10/Figure 11 clause of ANSI Z21.58 standard and CSA4.3-2004 standard. It meets UL1598, UL153, UL154B, UL1703, UL8750, UL1741, UL514B, UL1278, UL1571 and other standards.



Figure 1: UL Water Spray Test Device



Figure 2: JL-UL Spray head



Figure 3: UL Sprinkler test device

2. Equipment Characteristics

- Suitable for UL rain test and 45 degree sprinkler test.
- The device consists of two parts: UL Water Spray Test Device (three UL nozzles above) and UL sprinkler test device (one UL nozzle below).
- The frame part of the device is made of moulded aluminium material, which has stable structure and is easy to clean.
- The nozzle rack is movable and can be lifted freely by hand-operated stainless steel wheel device.
- The device adopts imported nozzles originally installed in UL laboratory and fully meets UL standard.
- The support base adopts universal brake casters, which are convenient to move and fix.
- Use the domestic brand "Red Flag" stainless steel pressure gauge to show the water flow (each nozzle comes with corresponding pressure gauge).
- The nozzle of equipment is strictly designed according to the standard, as shown in the figure:

The following are the reference standards:

19.17 淋雨试验装置

19.17.1 如图19.17.1所示，淋雨试验装置应由3个安装在供水管道上的喷头组成。喷头应符合图19.17.2。

19.17.2 每个喷头的水压应被维持在34.5kPa(5psi)。

图19.17.1 淋雨试验装置
(见19.17.1条)

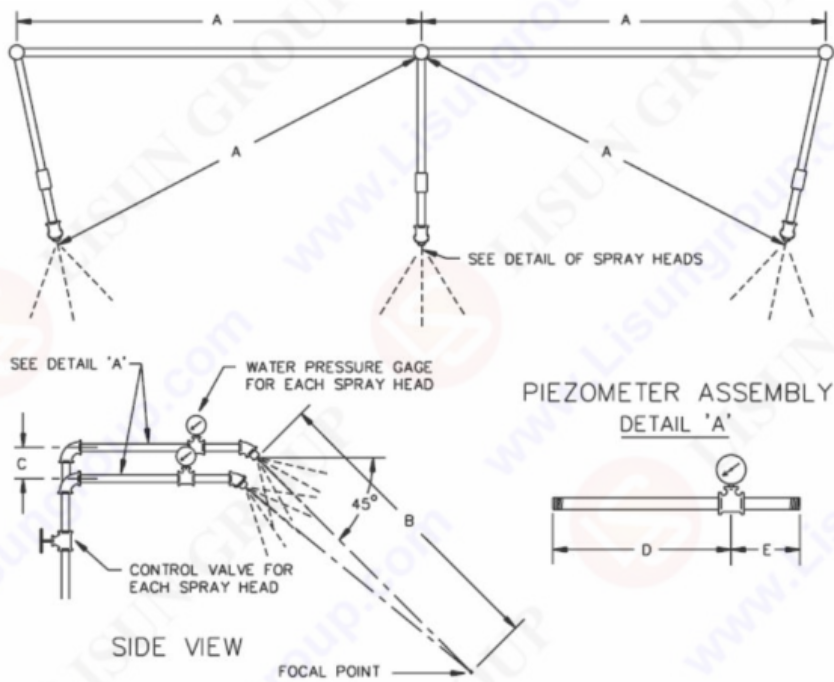
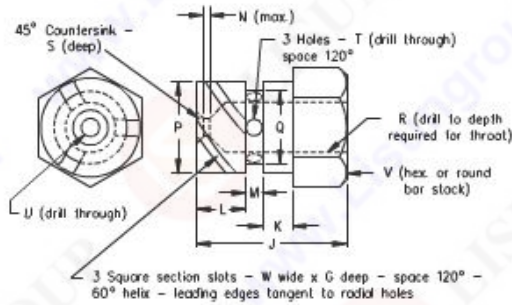
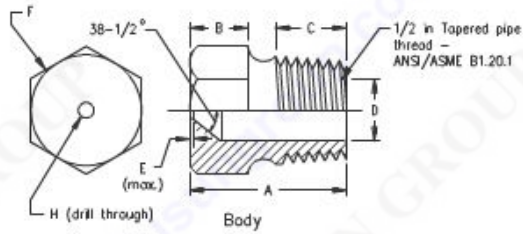
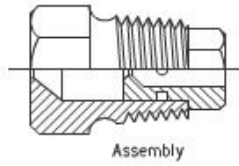


Figure 19.17.2
Spray head

(See Clauses 19.17.1 and 19.18.1)



RT100L

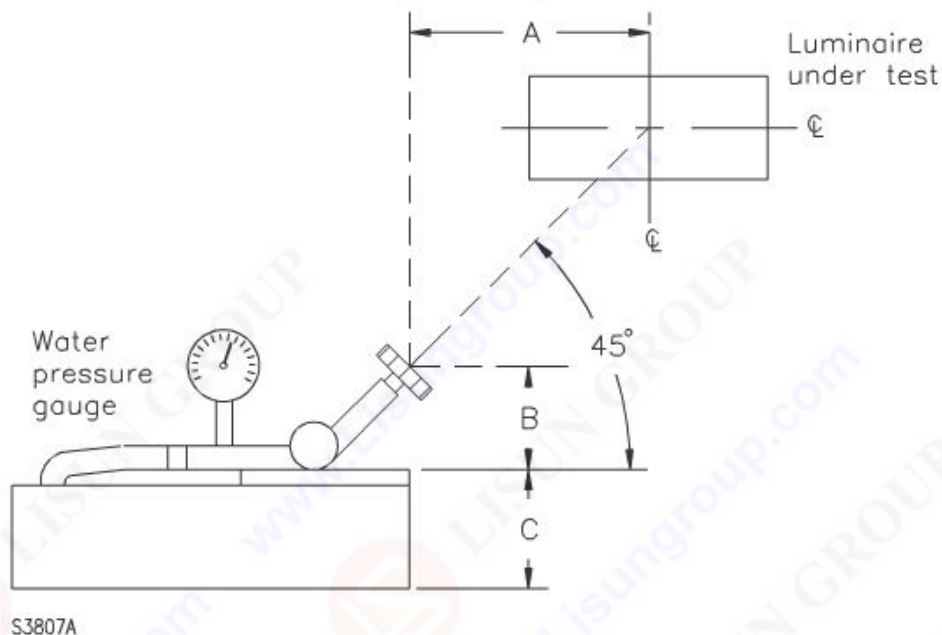
Item	mm	(in)	Item	mm	(in)
A	31.00	1.219	M	2.38	0.094
B	11.00	0.438	N	0.80	0.031
C	14.00	0.563	P	14.61 - 14.63	0.575 - 0.576
D	14.68 - 14.73	0.578 - 0.580	Q	11.51 - 11.53	0.453 - 0.454
E	0.40	0.016	R	6.35	0.250
F	Optional	Optional	S	0.80	0.031
G	1.52	0.060	T	2.80	0.110
H	5.00	0.196	U	2.50	0.980
J	18.30	0.719	V	16.00	0.625
K	3.97	0.156	W	1.52	0.060

19.18 Sprinkler test apparatus

19.18.1 The sprinkler test apparatus shall consist of a single spray head mounted as shown in Figure 19.18.1. The spray head shall be in accordance with Figure 19.17.2.

19.18.2 The water pressure shall be maintained at 140 kPa (20 psi) at the spray head.

Figure 19.18.1
Sprinkler test apparatus
(See Clause 19.18.1.)



NOTES

1 Dimension A is 915 mm (36 in).

2 Dimension B is 75 to 150 mm (3 to 6 in).

3 Dimension C is the height necessary for the luminaire to be mounted as intended with the dimensional center of the luminaire on a line projected from the centerline of the nozzle head.

3. Technical Specification:

- Outside dimensions of equipment: 1500*800 mm (Length* Width)
- The height adjustable range of equipment: 1000-2000 mm
- Number of nozzles: 4
- The distance between the sprinkler junction and the ground: 0-1000 mm
- The spray angle of the lower nozzle: 45 degrees (horizontal direction)
- Flow rate: >10L/min
- Total flow pressure: 50-150 Kpa
- Single nozzle pressure: 34.5 Kpa
- Number of pressure gauges: 5

4. Installation requirements

- The floor is flat with unobstructed drainage. Waterproofing treatment for floor and wall, and Setting up a floor drain or drainage ditch.
- Ground bearing capacity: >100 kg/m²
- No strong vibration around the equipment.
- The area should be well-ventilated.
- No flammable, explosive, corrosive substances and dust around the equipment.
- Appropriate space for use and maintenance machine is left around the equipment:
- Back, left and right sides, top of equipment: 1000mm
- The front of equipment: 2000 mm
- Users are required to configure water source for the equipment at the installation site, with water pressure not less than 0.2Mpa, and installing 4 taps.
- The position of the tap should be not more than 2 meters from the equipment.